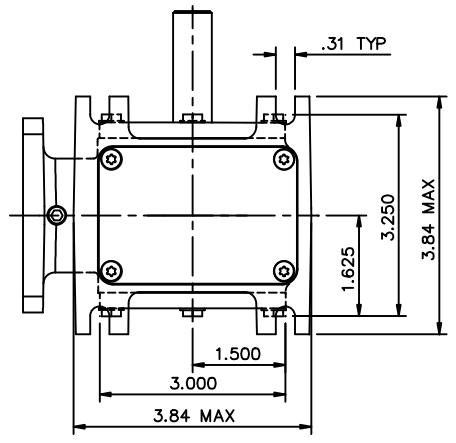
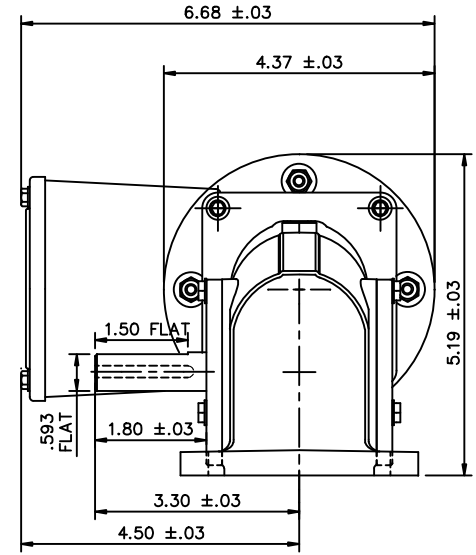
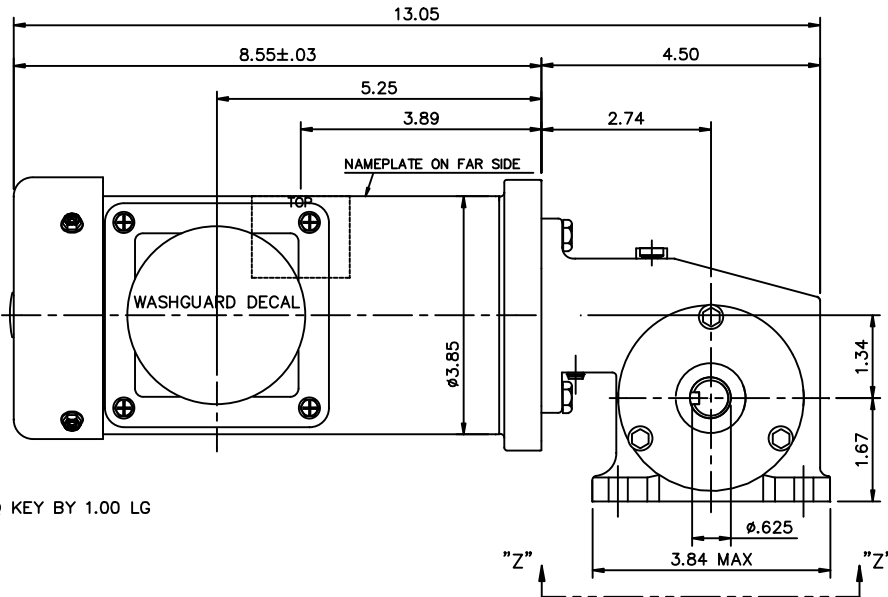


(1) 1/2-14 NPT CONDUIT HOLE (PLUGGED)

.187 SQ KEY BY 1.00 LG



VIEW "Z-Z"

CATALOG NUMBER	SPEED RANGE RPM	FULL LOAD TORQUE LB.-IN.	INPUT HP	OVERHUNG LOAD LBS.	GEARMOTOR TYPE & FRAME	RATIO TO 1
M1145141.00	43	113	1/6	235	13F40-38F	40

- NOTES:
 1) O-RINGS BETWEEN FRAME AND ENDBELLS.
 2) GASKETS THROUGHOUT.
 3) CAPACITOR LOCATED IN CONDUIT BOX.

		TOLERANCES UNLESS SPECIFIED		LEESON	ELECTRIC MOTORS GEARMOTORS AND DRIVES	DRAWN SRS 10/7/08
		DEC.	INCHES			
		.X	±.1			APPD
		.XX	±.03	TITLE	OUTLINE DRAWING	SCALE 1=2
02	ADDED LOCATION OF 1/2-14 NPT ISAAC 10-4079	GWS	6/14/11	13 SERIES - 38 FRAME WASHGUARD		REF M1030422.00
01	ADD DECAL - WASHGUARD	SRS	12/12/08	MAT'L		FMF M1145141.00
NO.	REVISION	BY & DATE	CHK ANG ±1/2'	FINISH		PREV
THIS DRAWING IN DESIGN AND DETAIL IS OUR PROPERTY AND MUST NOT BE USED EXCEPT IN CONNECTION WITH OUR WORK ALL RIGHTS OF DESIGN AND INVENTION ARE RESERVED THIS IS AN ELECTRONICALLY GENERATED DOCUMENT - DO NOT SCALE THIS PRINT				RFP	CAD FILE OLM1145141	SIZE B
				DIST		DRAWING NO. OLM1145141
						REV. 02