

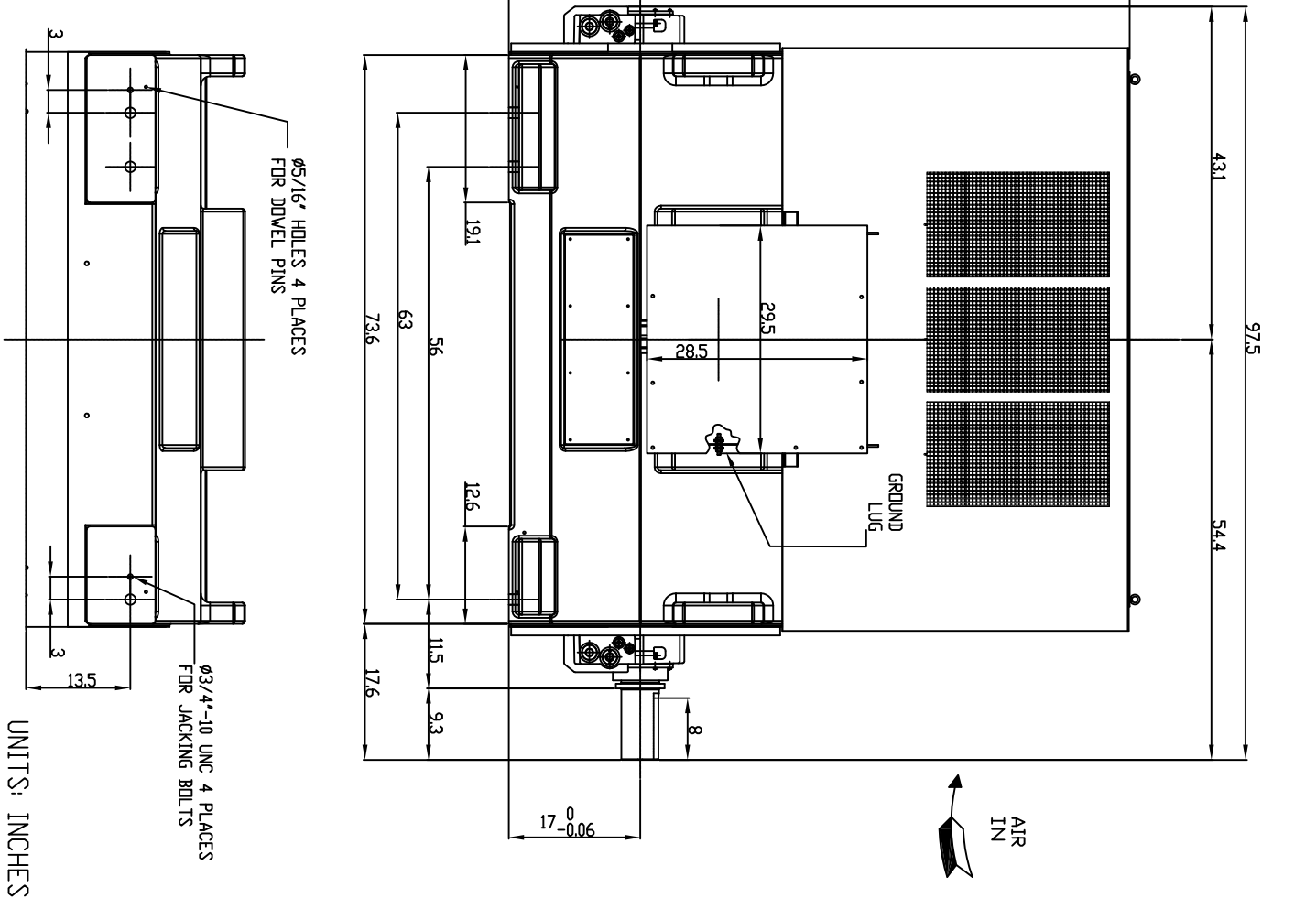
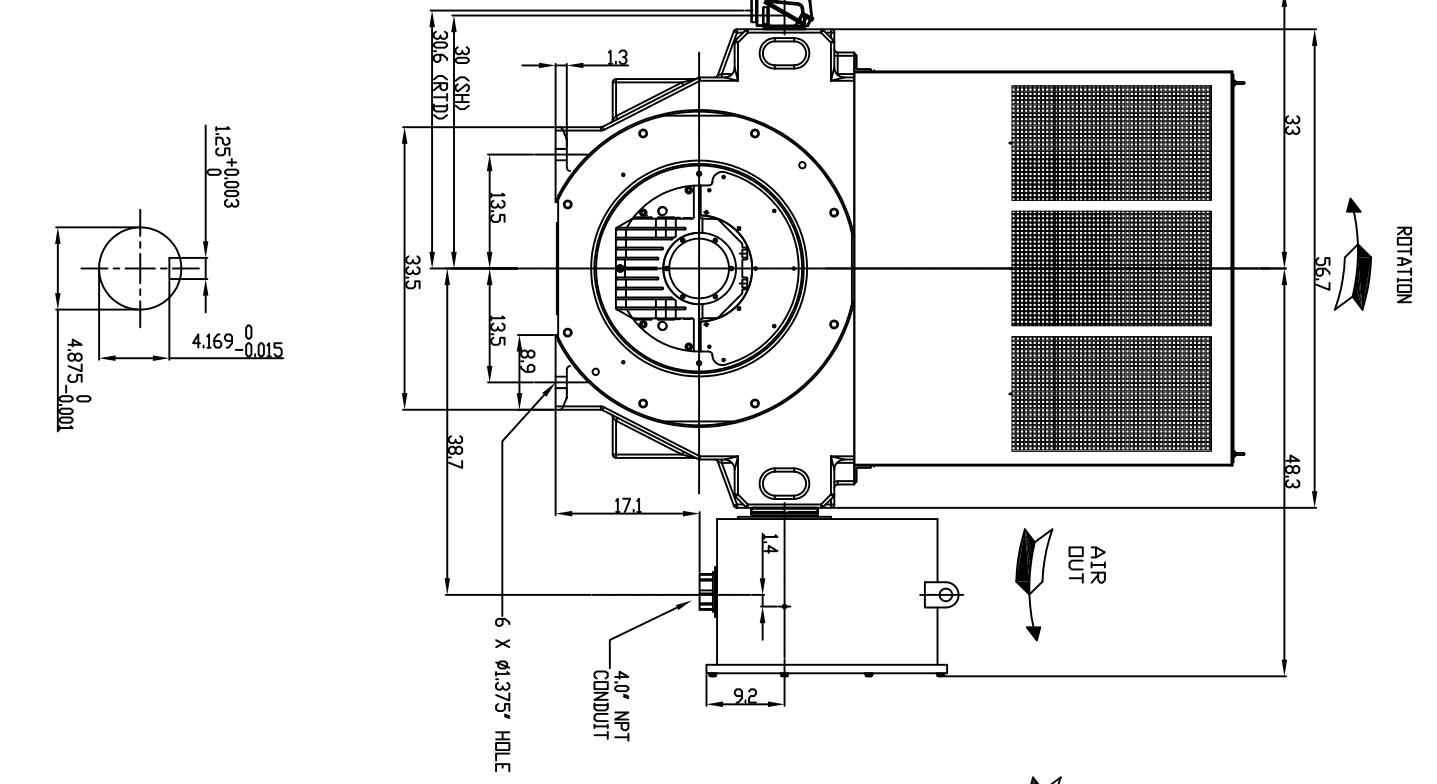
TECHNICAL INFORMATION

1. BEARING LUBRICATION DE: TURBINE OIL ISO VG32
ODE: TURBINE OIL ISO VG32
2. BEARING TYPE DE: M11-125 INS
ODE: M11-125 INS
3. WINDING TEMP. DETECTORS
NUMBER AND TYPE: 6xRTD(Pt0C-100ohm)
LOCATION: IN STATOR SLOT
4. BEARING TEMP. DETECTORS
NUMBER AND TYPE: _____
5. SPACE HEATER _____ 1 PHASE
VOLTS: 120 _____ WATTS: 800 _____
6. ROTATION: _____ CCW _____ VIEWED FROM NON DRIVE END
THIS MOTOR IS _____ UNI _____ DIRECTIONAL
7. MOTOR PAINT COLOR: GRAY _____
8. APPROX. WEIGHT: 14,000 Lbs _____
9. ACCESSORIES: _____

**PRELIMINARY
FOR QUOTATION ONLY
DO NOT BUILD
FROM THIS DRAWING**

DRAWING LIST

MAIN TERMINAL BOX 130P-7550-68	
AUX TERMINAL BOX FOR	
SPACE HEATER	130-7520-50
R.T.D.	130-7522-51
THERMISTOR	N/A
PRODUCTION #	N/A



UNITS: INCHES

**MOTOR OUTLINE FOR
THREE PHASE INDUCTION MOTOR**

CUSTOMER NAME				P.O. NO.		MOTOR TAG NO.	
TOSHIBA INTERNATIONAL CORPORATION HOUSTON, TEXAS U.S.A.							
OUTPUT	POLE	VOLTAGE	FREQUENCY	FULL LOAD SPEED	TOSHIBA MODEL NO.		
HP	4	V	HZ	(min-1)			
TYPE	FORM	INS. CLASS	RATING	FRAME	S.F.	ENCLOSURE	
		F	CONT.	6813US		WP-1	

NO.	0	FIRST ISSUE	RC	06/17/14
REVISION			BY	DATE
PRODUCTION #	N/A			

3rd ANGLE PROJ.	PREPARED BY: R.CANTU	DATE: 06/17/14	CHECKED BY:	DATE:	DRAWING NO.: MDSL0086-76	REV. 0
-----------------	----------------------	----------------	-------------	-------	--------------------------	--------

TYPICAL MOTOR PERFORMANCE DATA

Model: M705WPQL11E-C

HP	kW	Pole	FL RPM	Frame	Voltage	Hz	Phase	FL Amps
3500	2611	4	1781	6813US	4000	60	3	432
Enclosure	IP	Ins. Class	S.F.	Duty	NEMA Nom. Eff.	NEMA Design	kVA Code	Ambient (°C)
WP-I	23	F	1.15	CONT	96.7	-	F	40 C

Load	HP	kW	Amperes	Efficiency (%)	Power Factor (%)
Full Load	3500	2610.0	431.4	96.7	90.4
¾ Load	2625.00	1957.5	325.8	96.6	89.7
½ Load	1750.00	1305.0	227.7	96.2	86.0
¼ Load	875.00	652.5	142.4	94.1	70.3
No Load			81.2		3.7
Locked Rotor			2797.90		15.8

Torque				Rotor wk ² Inertia (lb-ft ²)
Full Load (lb-ft)	Locked Rotor (% FLT)	Pull Up (% FLT)	Break Down (% FLT)	
1.032E+04	80	85	240	1349.76

Safe Stall Time(s)		Sound Pressure dB(A) @ 1M	Bearings*		Approx. Motor Weight (lbs)
Cold	Hot		DE	NDE	
34	13	-	M11-125 INS	M11-125 INS	

*Bearings are the only recommended spare part(s).

Motor Options:
Mounting:Footed,Shaft:US Shaft

Customer	
Customer PO	
Sales Order	
Project #	

Tag:

All characteristics are average expected values.

TOSHIBA INTERNATIONAL CORPORATION · HOUSTON, TEXAS U.S.A.

Engineering	bmmamen	Doc. Written By	D. Suarez	Doc.# / Rev	MPCF-1119 / 0
Engr. Date	7/10/2014	Doc. Approved By	M. Campbell	Doc. Issued	6/8/2011

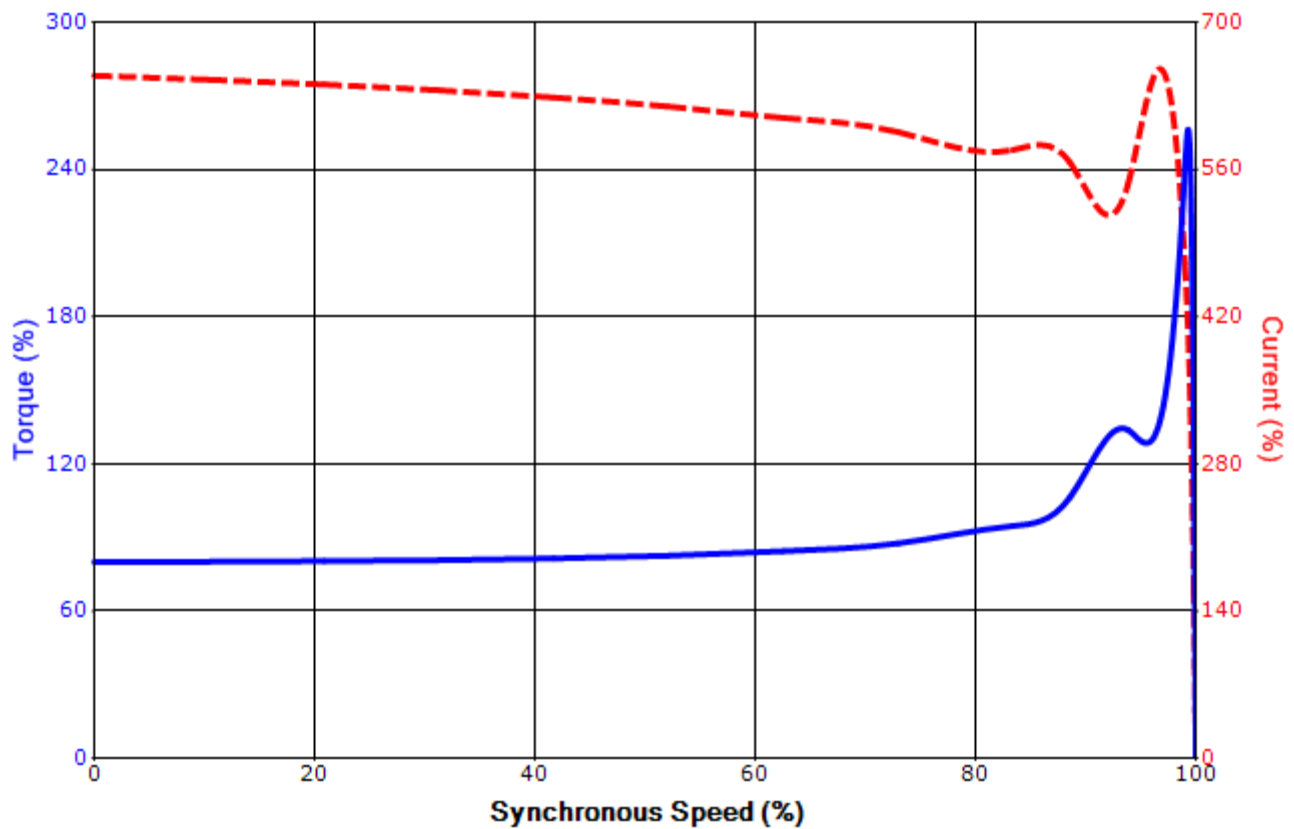
Issued Date	4/23/2015	Transmit #	
Issued By	dschoeck	Issued Rev	

SPEED TORQUE/CURRENT CURVE

Model: M705WPQL11E-C

HP	kW	Pole	FL RPM	Frame	Voltage	Hz	Phase	FL Amps
3500	2611	4	1781	6813US	4000	60	3	432
Enclosure	IP	Ins. Class	S.F.	Duty	NEMA Nom. Eff.	NEMA Design	kVA Code	Ambient (°C)
WP-I	23	F	1.15	CONT	96.7	-	F	40 C
Locked Rotor Amps	Rotor wk ² Inertia (lb-ft ²)	Torque						Break Down (%)
		Full Load (lb-ft)	Locked Rotor (%)	Pull Up (%)				
2797.90	1349.76	1.032E+04	80	85			240	

Design Values



Customer		wk ² Load Inertia (lb-ft ²)	-
Customer PO		Load Type	-
Sales Order		Voltage (%)	100
Project #		Accel. Time	-

Tag:

All characteristics are average expected values.

TOSHIBA INTERNATIONAL CORPORATION · HOUSTON, TEXAS U.S.A.

Engineering	bmammen	Doc. Written By	D. Suarez	Doc.# / Rev	MPCF-1121 / 0
Engr. Date	7/10/2014	Doc. Approved By	M. Campbell	Doc. Issued	6/8/2011