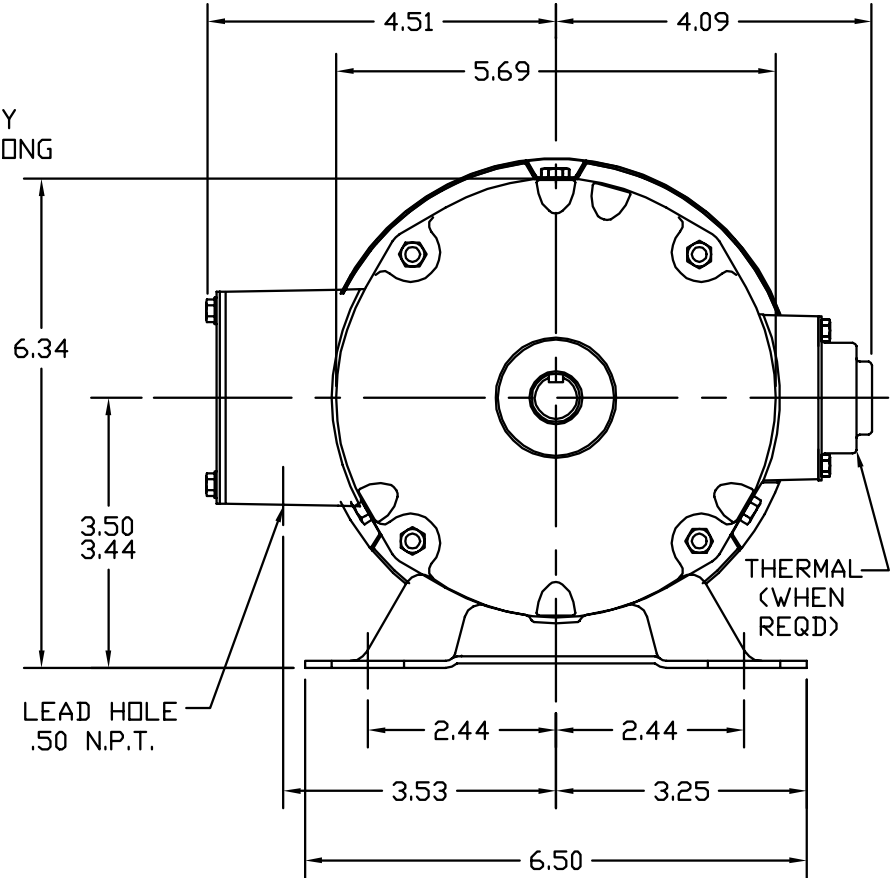
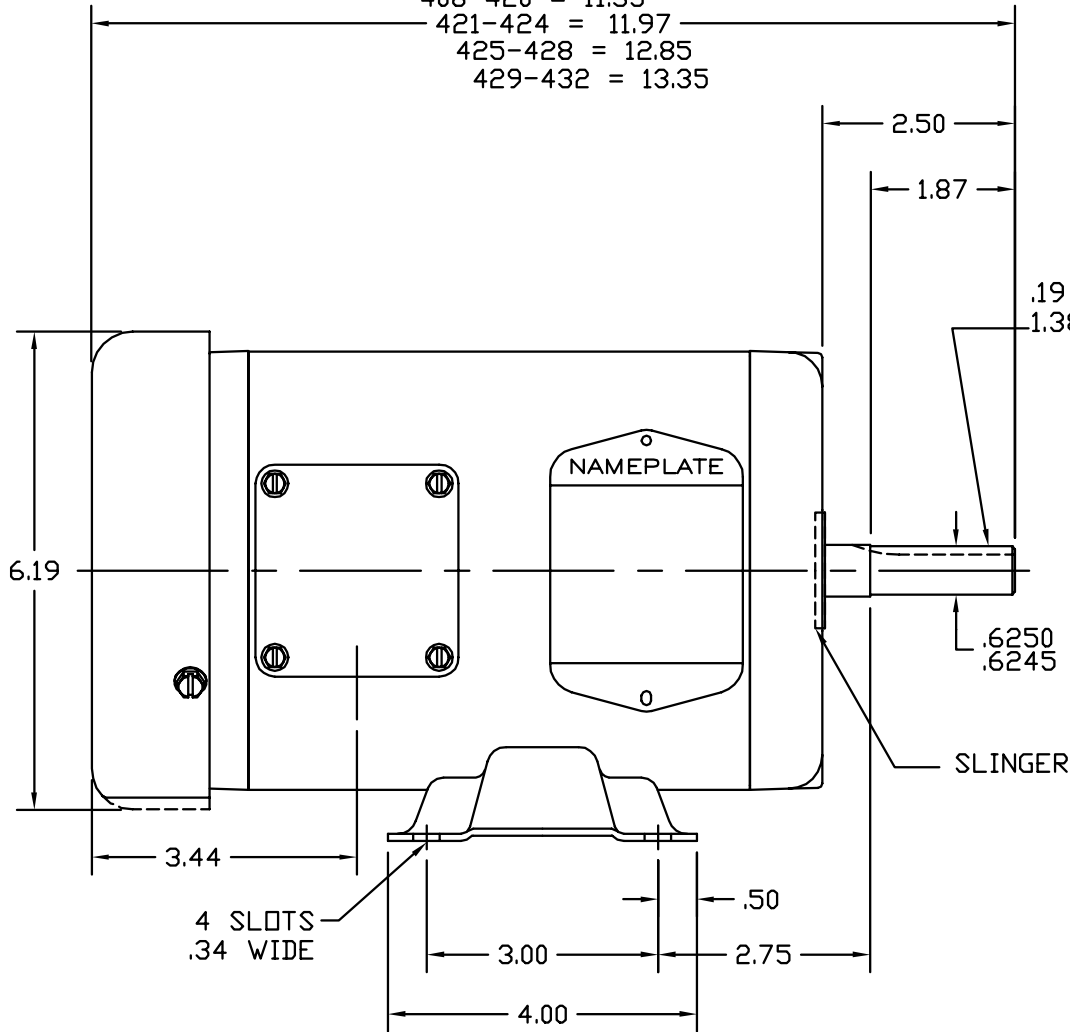


408-420 = 11.35  
 421-424 = 11.97  
 425-428 = 12.85  
 429-432 = 13.35



CUSTOMER IS RESPONSIBLE FOR DETERMINING THAT MOTOR PERFORMANCE IS SUITABLE IN THE APPLICATION.

REV. DESC: UPDATED DRAWING			
REV. LTR: C	VERSION: 01	TDR: 000000424850	
	FILE: \AAA\00025\916	REVISED: 13: 49: 01 03/12/2007	
	MTL: -	BY: ENROSTO	

**BALDOR ELECTRIC Co.**

STD HORZ 34M NEMA 56 TEFC - CHEMICAL SERVICE MTR

34LYK046