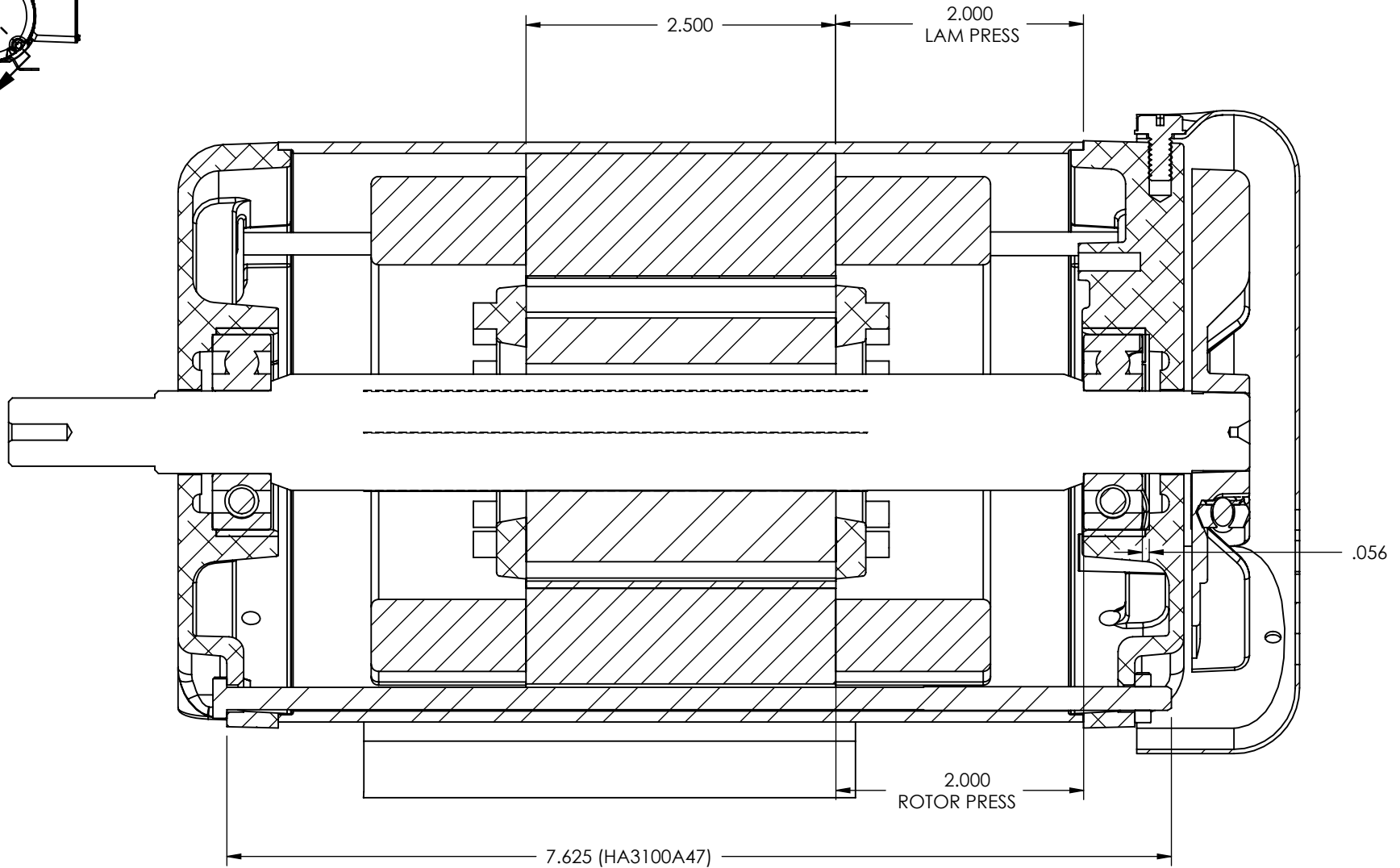
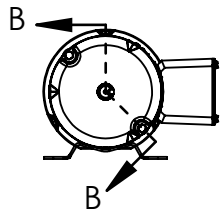


33-1788-675G1



SECTION B-B
SCALE 1 : 1.25

REV. DESC: UPDATE SCREWS PER CK.

REV: A VERSION: 01 REVISED: 02:01:32 02/03/2012 TDR: 000000731785

BALDOR • DODGE • RELIANCE

1GSL9-88L1-EE

MODEL NO. 33-1788-675G1

REF:

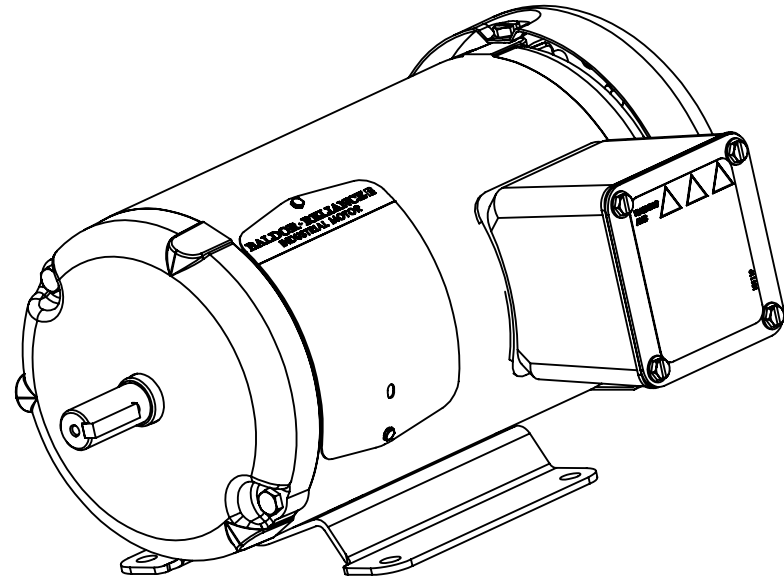
BY: CKAPRB0

LY,33AC MTR RSB TEFC GP W/BASE & 14MM X 35MM EXT

33-1788-675G1

33-1788-675G1

ITEM NO.	PART NUMBER	QTY.
1	33EP3100A02	1
2	SKF - 6203 - 10,DE,NC,10_68	2
3	33SA9210B38	1
4	33RC4120-03	1
5	XY1032A02	3
6	33FN3000	1
7	12XN0832A16	1
8	HW1003A08	1
9	34GS1029	1
10	11XW1032G06	1
11	51XB1016A07	2
12	34GS1031A01	1
13	34CB4517	1
14	51XW0832A07	4
15	LB1119	1
16	33SH1076B02	1
17	33FH4001A01	1
18	51XB1016A06	3
19	HA3100A47	2
20	HW5109A05	1
21	HW2504D08	1
22	NP1379I	1
23	99XM0440S01	2
24	LC0005	1
25	33EP3100A01	1
26	34CB3002C	1



REV. DESC: UPDATE SCREWS PER CK.

REV: A VERSION: 01 REVISED: 02:01:32 02/03/2012 TDR: 000000731785

BALDOR • DODGE • RELIANCE

33-1788-675G1

MODEL NO. 33-1788-675G1

REF:

BY: CKAPRB0

LY,33AC MTR RSB TEFC GP W/BASE & 14MM X 35MM EXT

33-1788-675G1