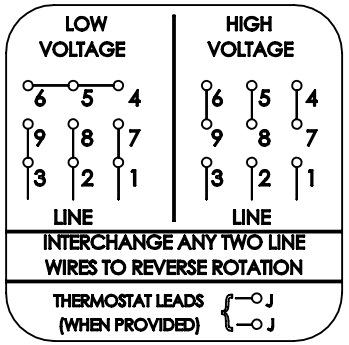
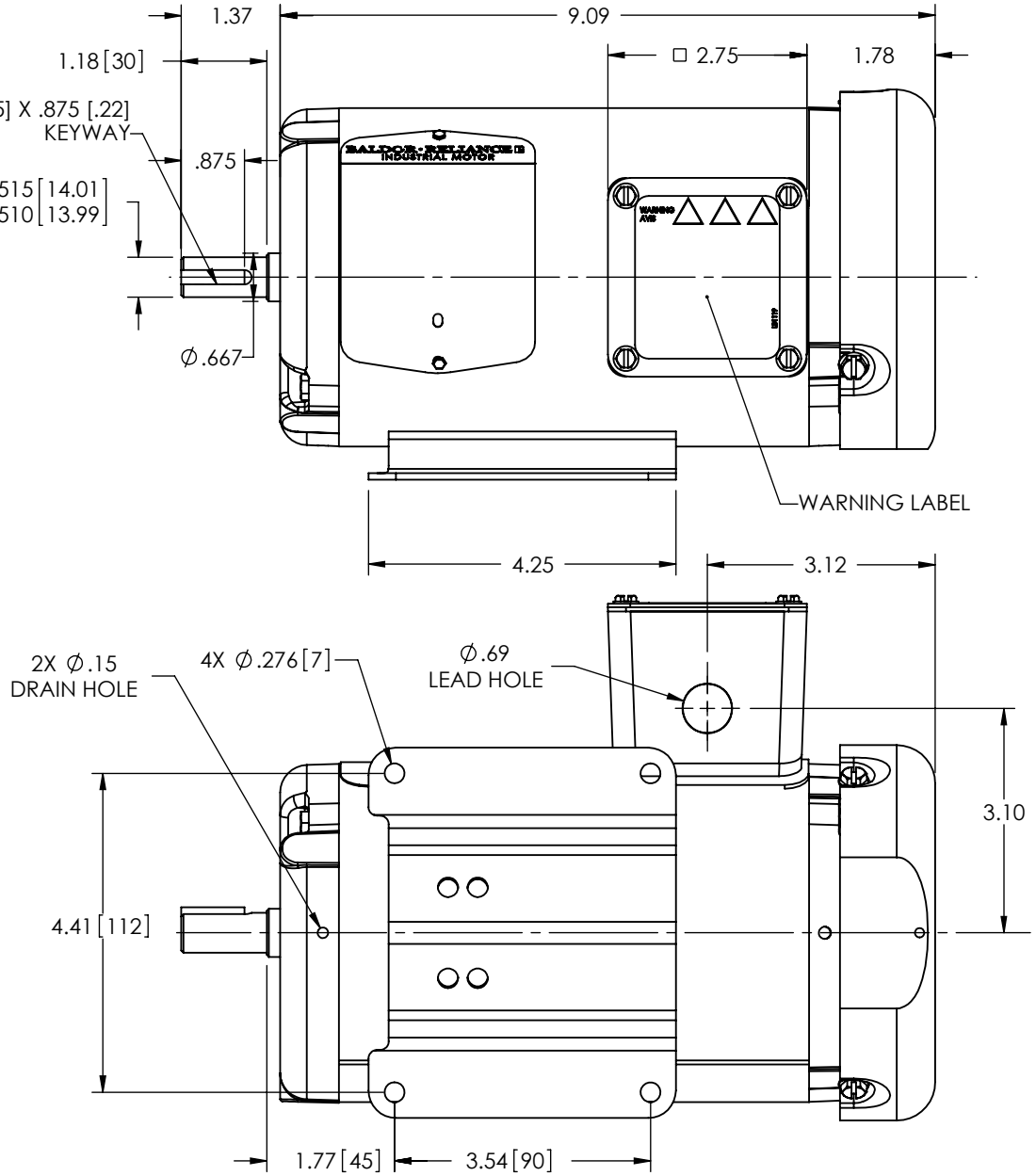
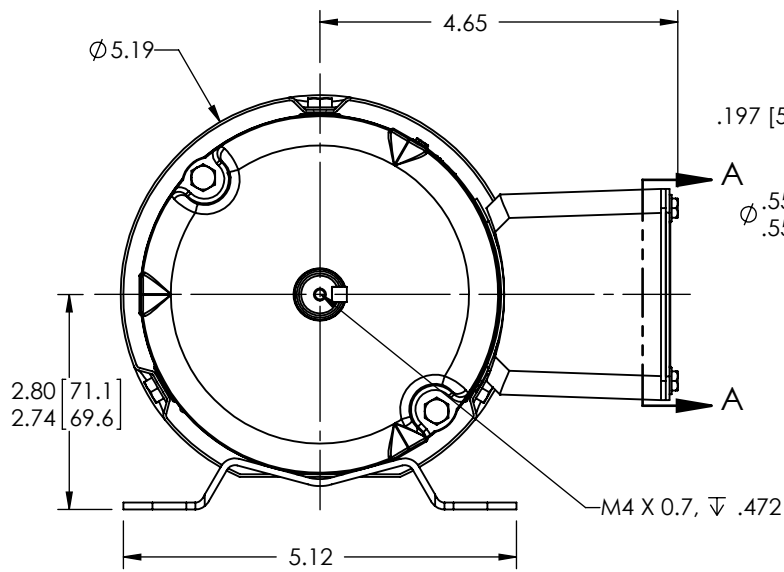


33-1788-425G1



SECTION A-A
LABEL UNDER C'BOX LID

REV. DESC: UPDATE SCREWS PER CK.

REV: B VERSION: 02 REVISED: 01:34:21 02/03/2012 TDR: 000000731785

33-1788-425G1

MODEL NO. 33-1788-425G1

BY: CKAPRB0

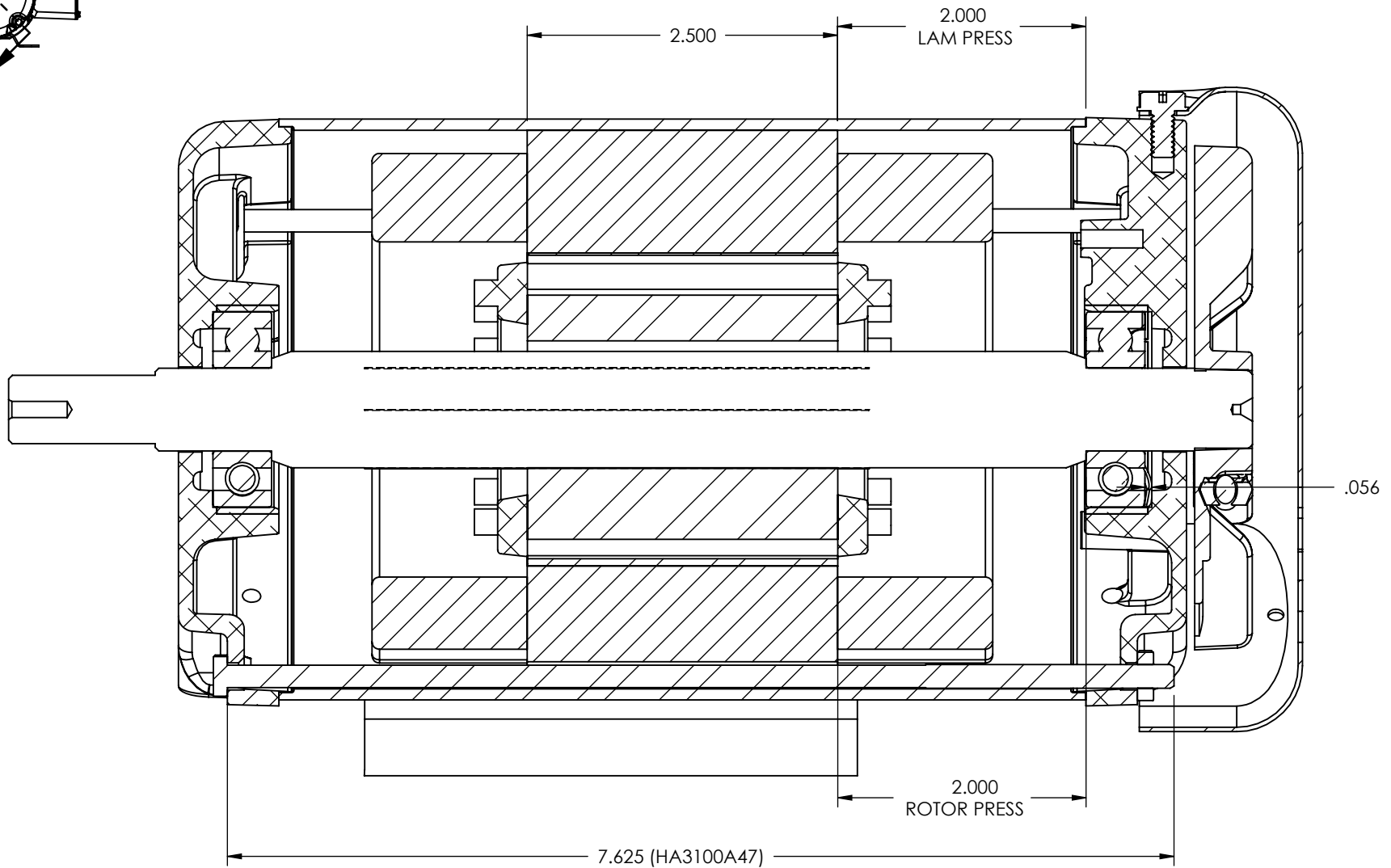
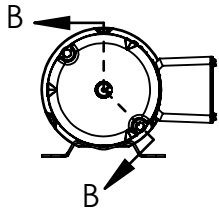
REF:

BALDOR ELECTRIC Co.

LY,33AC MTR RSB TEFC GP W/BASE & 14MM X 35MM EXT

33-1788-425G1

33-1788-425G1



SECTION B-B
SCALE 1 : 1.25

REV. DESC: UPDATE SCREWS PER CK.

REV: B VERSION: 02 REVISED: 01:34:21 02/03/2012 TDR: 000000731785

BALDOR • DODGE • RELIANCE

33-1788-425G1

MODEL NO. 33-1788-425G1

REF:

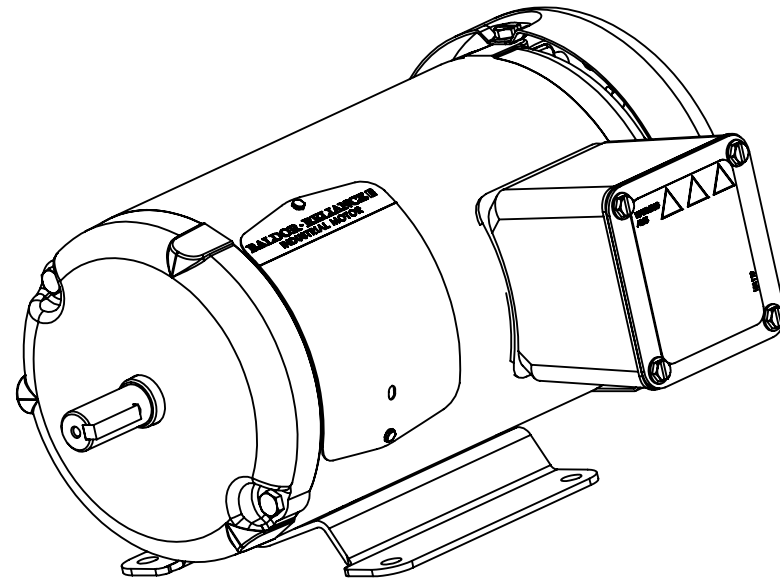
BY: CKAPRB0

LY,33AC MTR RSB TEFC GP W/BASE & 14MM X 35MM EXT

33-1788-425G1

33-1788-425G1

| ITEM NO. | PART NUMBER | QTY. |
|----------|-----------------------------|------|
| 1 | 33EP3100A02 | 1 |
| 2 | SKF - 6203 - 10,DE,NC,10_68 | 2 |
| 3 | 33SA9210B38 | 1 |
| 4 | 33RC4120-03 | 1 |
| 5 | HA3100A47 | 2 |
| 6 | XY1032A02 | 3 |
| 7 | 33FN3000 | 1 |
| 8 | 12XN0832A16 | 1 |
| 9 | HW1003A08 | 1 |
| 10 | 34GS1029 | 1 |
| 11 | 11XW1032G06 | 1 |
| 12 | 51XB1016A07 | 2 |
| 13 | 34GS1031A01 | 1 |
| 14 | 34CB4517 | 1 |
| 15 | LB1119 | 1 |
| 16 | 33SH1076B02 | 1 |
| 17 | HW5109A05 | 1 |
| 18 | 33FH4001A01 | 1 |
| 19 | 51XB1016A06 | 3 |
| 20 | HW2504D08 | 1 |
| 21 | NP1379I | 1 |
| 22 | 99XM0440S01 | 2 |
| 23 | LC0005 | 1 |
| 24 | 33EP3100A01 | 1 |
| 25 | 34CB3002C | 1 |
| 26 | 51XT0832A07 | 4 |



REV. DESC: UPDATE SCREWS PER CK.

REV: B VERSION: 02 REVISED: 01:34:21 02/03/2012 TDR: 000000731785

BALDOR • DODGE • RELIANCE

33-1788-425G1

MODEL NO. 33-1788-425G1

REF:

BY: CKAPRB0

LY,33AC MTR RSB TEFC GP W/BASE & 14MM X 35MM EXT

33-1788-425G1