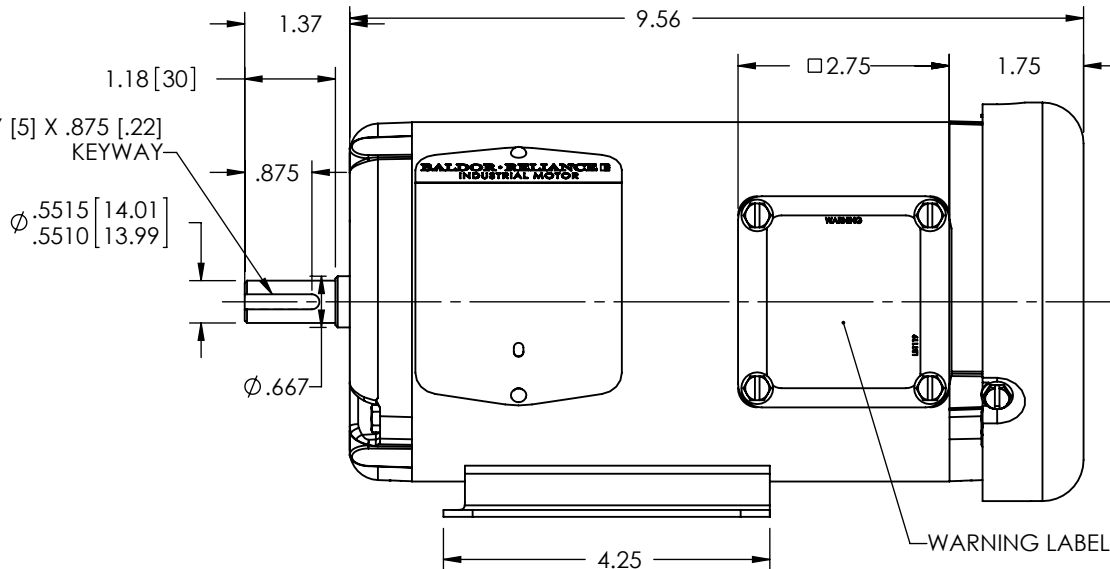
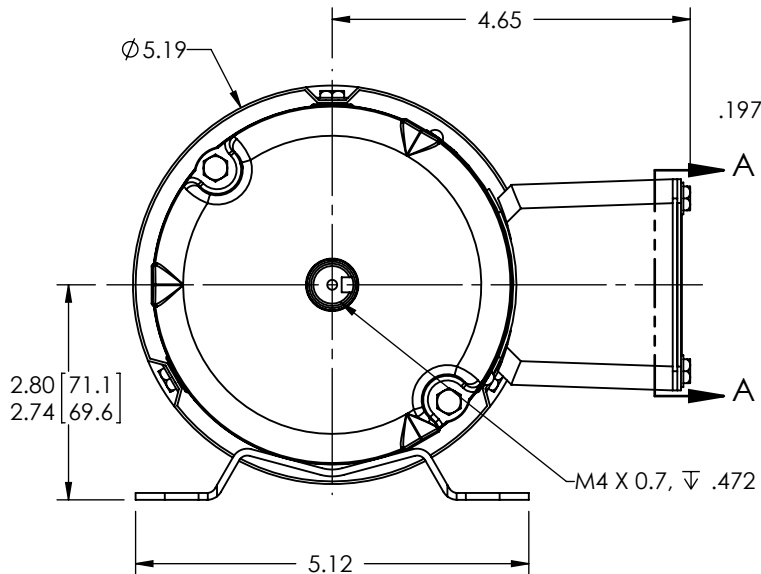
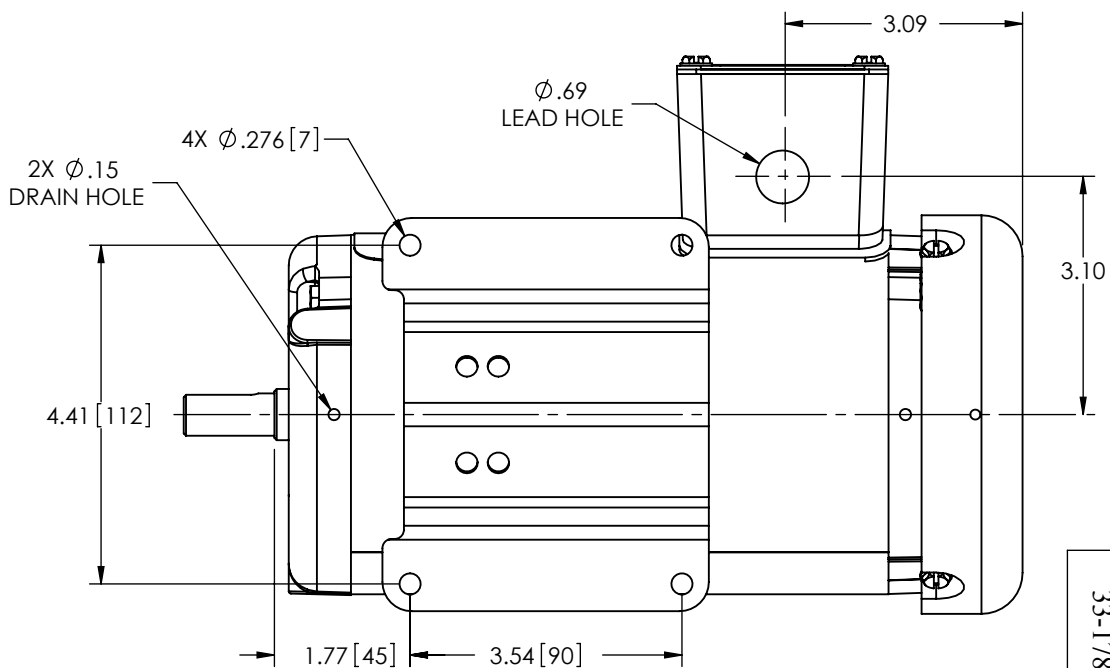


33-1788W154G1



THREE PHASE	1 —	} LINE
SINGLE VOLTAGE	2 —	
	3 —	
THERMOSTAT LEADS (WHEN PROVIDED)	{ —	J
	{ —	J
THERMOSTAT RATING	USE A MOMENTARY START SWITCH ONLY	
AMPS	VOLTS	INTERCHANGE ANY TWO LINE WIRES TO REVERSE SHAFT ROTATION
4.0	115	
3.0	230	
1.5	460	
1.2	575	

SECTION A-A  
LABEL UNDER C'BOX LID



REV. DESC: NEW

REV: -    VERSION: 00    REVISED: 04:39:25 07/23/2008    TDR: 000000467509

33-1788W154G1

MODEL NO. 33-1788

BY: CKPHIW0

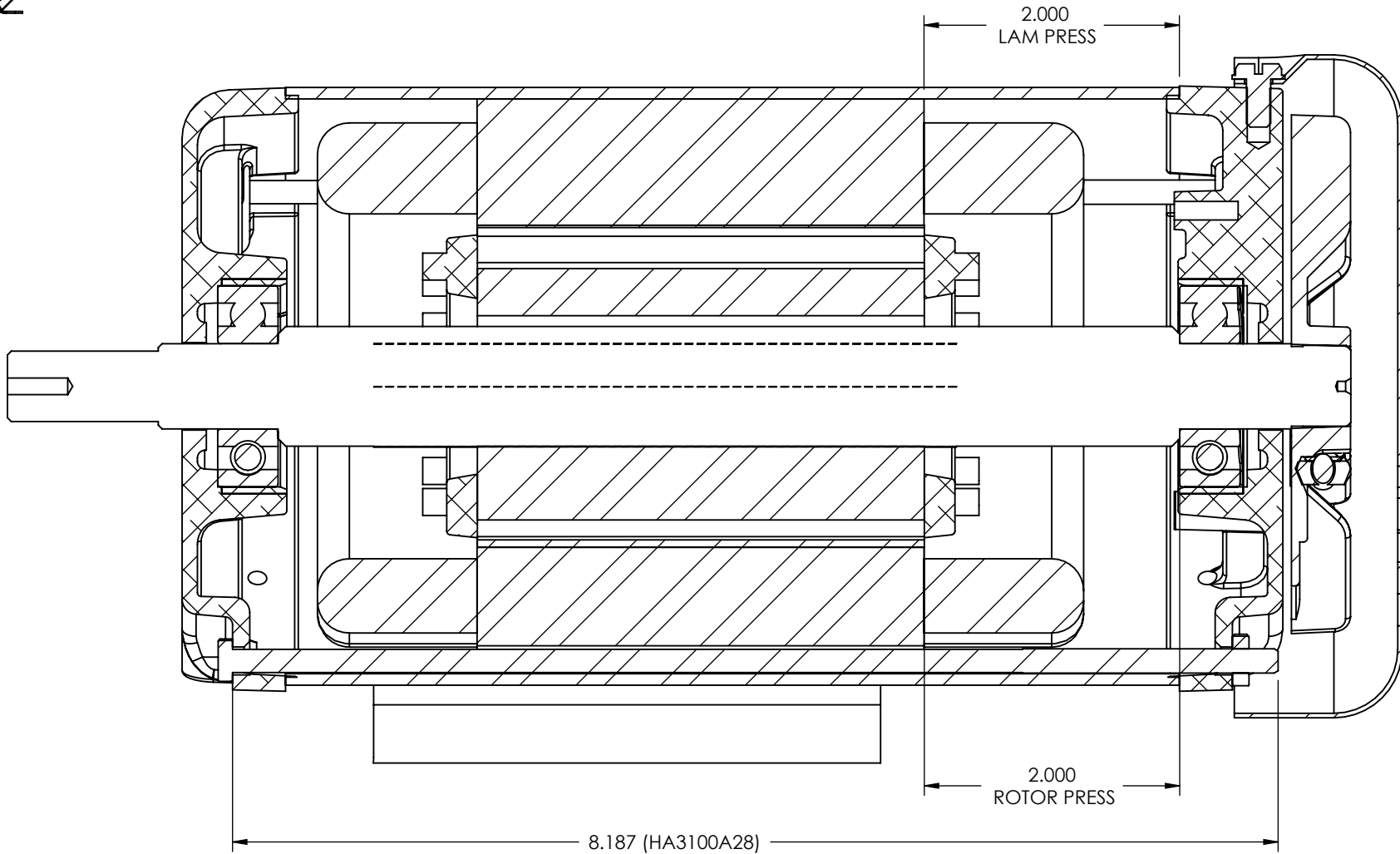
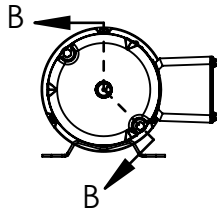
REF:

**BALDOR ELECTRIC Co.**

LY,33AC MTR RSB TEFC GP W/BASE & 14MM X 35MM EXT

33-1788W154G1

33-1788W154G1



SECTION B-B  
SCALE 1 : 1.25

REV. DESC: NEW

REV: -    VERSION: 00

REVISED: 04:39:25 07/23/2008

TDR: 000000467509

**BALDOR • DODGE • RELIANCE**

33-1788W154G1

MODEL NO. 33-1788

REF:

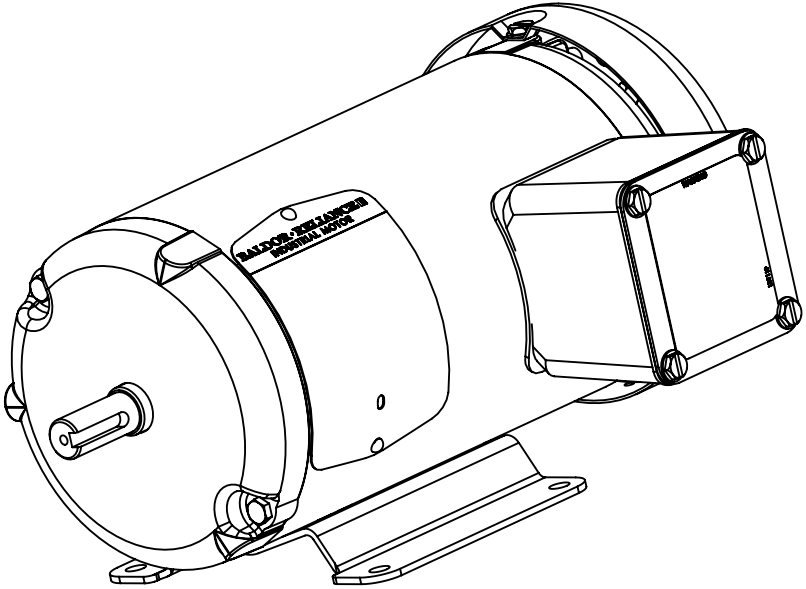
BY: CKPHIW0

LY,33AC MTR RSB TEFC GP W/BASE & 14MM X 35MM EXT

33-1788W154G1

ITEM NO.	PART NUMBER	33-1788W154G1/QTY.
1	33EP3100A02	1
2	33EP3100A01	1
3	SKF - 6203 - 10,DE,NC,10_68	2
4	33SB0184	1
5	33RC4128-00	1
6	3.500 stack	1
7	HA3100A28	2
8	XY1032A02	3
9	33FN3000	1
10	12XN0832A16	1
11	HW1003A08	1
12	A01	1
13	11XT1032A06	3
14	34GS1029	1
15	HA5100A03	1
16	11XW1032G06	1
17	51XB1016A07	2
18	34GS1031A01	1
19	34CB4517	1
20	51XW1032A07	4
21	NP1774	1
22	BMH4109	2
23	LC0006	1
24	LB1119	1
25	33SH1076C02	1
26	34CB3002A64	1

33-1788W154G1



REV. DESC: NEW

REV: -    VERSION: 00    REVISED: 04:39:25 07/23/2008    TDR: 000000467509

**BALDOR • DODGE • RELIANCE**

33-1788W154G1    MODEL NO. 33-1788    REF:  
BY: CKPHIW0

LY,33AC MTR RSB TEFC GP W/BASE & 14MM X 35MM EXT

33-1788W154G1