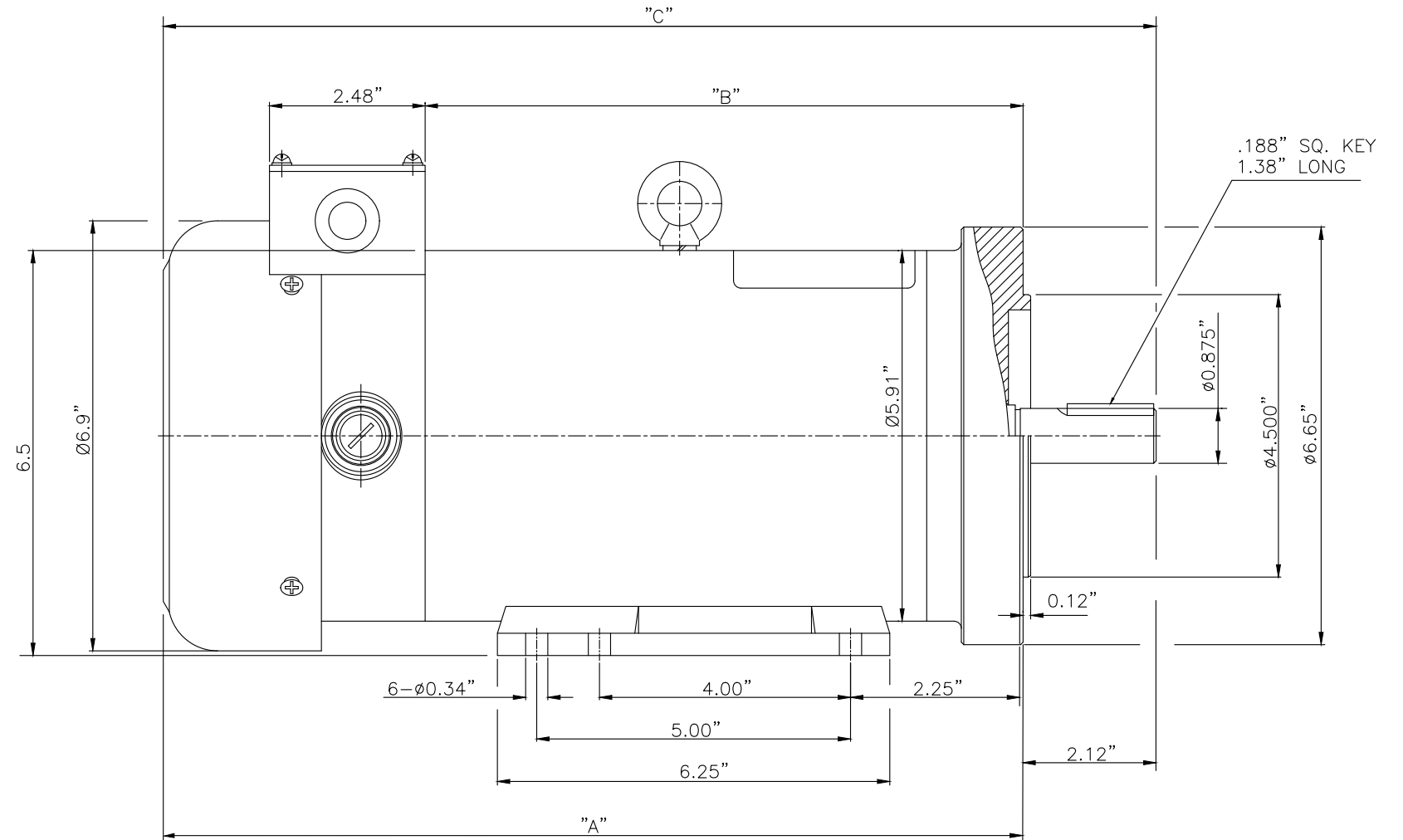
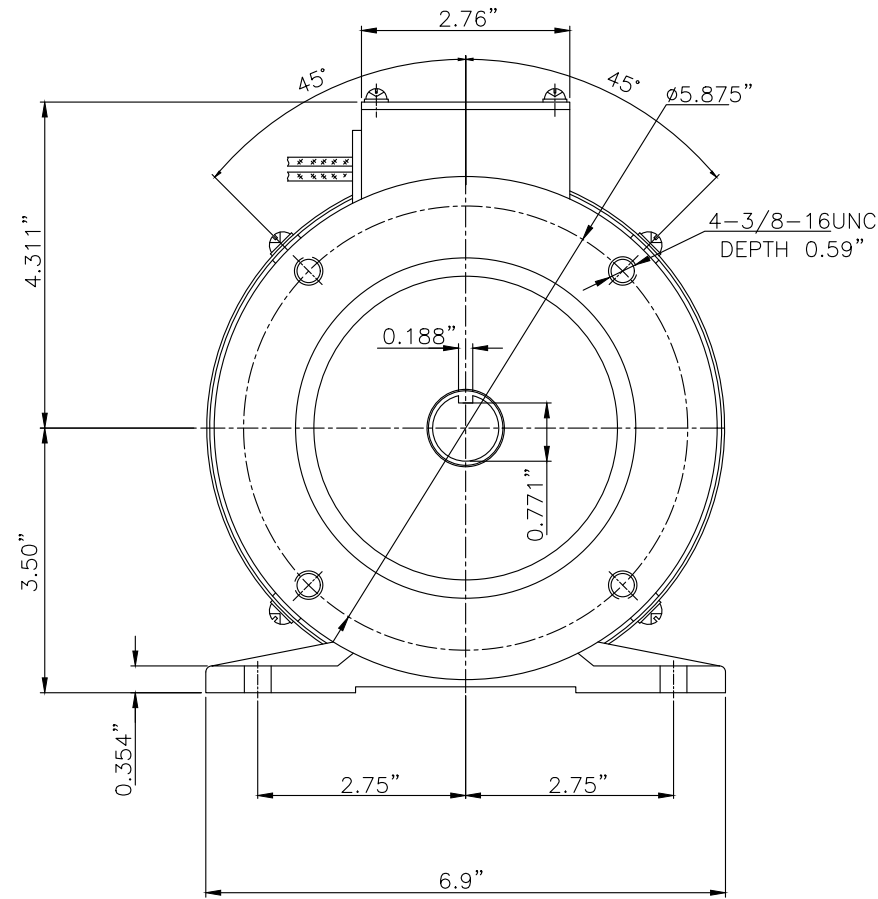


NOTES:

- COLOR & FINISH: BLUE SEMI-GLOSS.
- NAMEPLATE TO BE APPLIED ON TOP OF MOTOR - AS SHOWN.
COUNTRY OF ORIGIN TO APPEAR ON NAMEPLATE - PER RESOLUTION 19 CFR PART 134.
MANUFACTURER UL FILE # TO APPEAR ON NAMEPLATE.
MANUFACTURER SERIAL # & MANUFACTURING DATE CODE TO APPEAR ON NAMEPLATE.
- WIRE LEADS: 14 AWG, 12" LONG FROM MOTOR SHELL, 1/4" END STRIP.
WIRES ARE TO BE LOOPED AND KEPT INSIDE JUNCTION BOX.



WEG PART #	SAP#	VOLTS	SPEED	H.P.	AMPS	TORQUE	ENCL.	FRAME	INSUL.	DIM 'A'	DIM 'B'	DIM 'C'
MT-038	14461737	180 D.C.	1750 R.P.M.	1.5	8.0	54 IN-LBS	TEFC	145TC	F	11.08"	8.97"	13.20"
MT-039	14461748	180 D.C.	1750 R.P.M.	2.0	9.5	72 IN-LBS	TEFC	145TC	F	13.68"	9.54"	15.80"
MT-040	14461749	180 D.C.	1750 R.P.M.	3.0	14.0	108 IN-LBS	TEFC	145TC	F	14.21"	12.13"	16.33"
MT-046	16568557	90 D.C.	1750 R.P.M.	1.5	16.0	54 IN-LBS	TEFC	145TC	F	13.20"	8.97"	15.45"
MT-048	16568700	90 D.C.	1750 R.P.M.	2.0	19.0	72 IN-LBS	TEFC	145TC	F	13.75"	9.54"	15.87"

UNLESS OTHERWISE SPECIFIED: TOLERANCE - DECIMAL		GROSS WEIGHT		NET WEIGHT		SCALE		N/A	
.XX	±015	500002661792	01	REVISED 'A' DIMENSIONS-PER 422168582	COGINSKI	RAFAELAMS	RAFAELAMS	12.07.2024	00
.XXX	±005	ECM	LOC	SUMMARY OF MODIFICATIONS	EXECUTED	CHECKED	RELEASED	DATE	VER
.XXXX	±002	RELEASED	RAFAELAMS	MT MOTORS	10012268524				
ANGLE	±1/2°	REL DT	12.07.2024	WBL	MCHENRY	ENGINEERING	SHEET	/	

