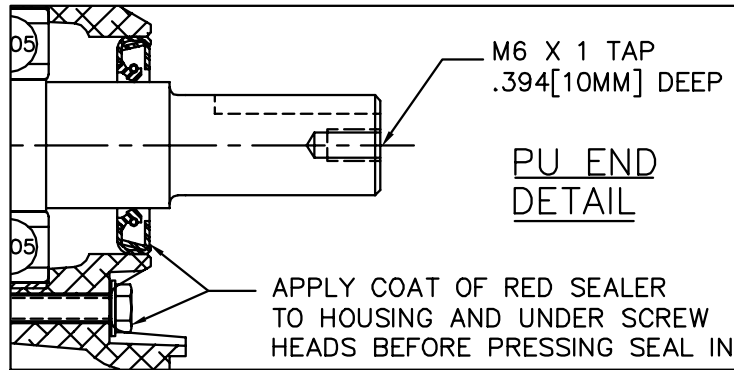


4 HOLES
 M6 X 1.0 TAP
 .69 DEEP ON
 3.937 [100]
 DIA. B.C.



CUSTOMER IS RESPONSIBLE FOR DETERMINING THAT MOTOR PERFORMANCE IS SUITABLE IN THE APPLICATION.

REV. DESC: UPDATED KOBX & LID			
REV. LTR: E	VERSION: 01	TDR: 000000423976	
	FILE: \AAA\00009\270	REVISED: 08:33:22 03/05/2007	
0Z99Y74E	MTL: -	BY: ENROSTO	

BALDOR ELECTRIC Co.

STD. VERT 34M IEC D80C TEFC W/F-2 MTG & SEAL