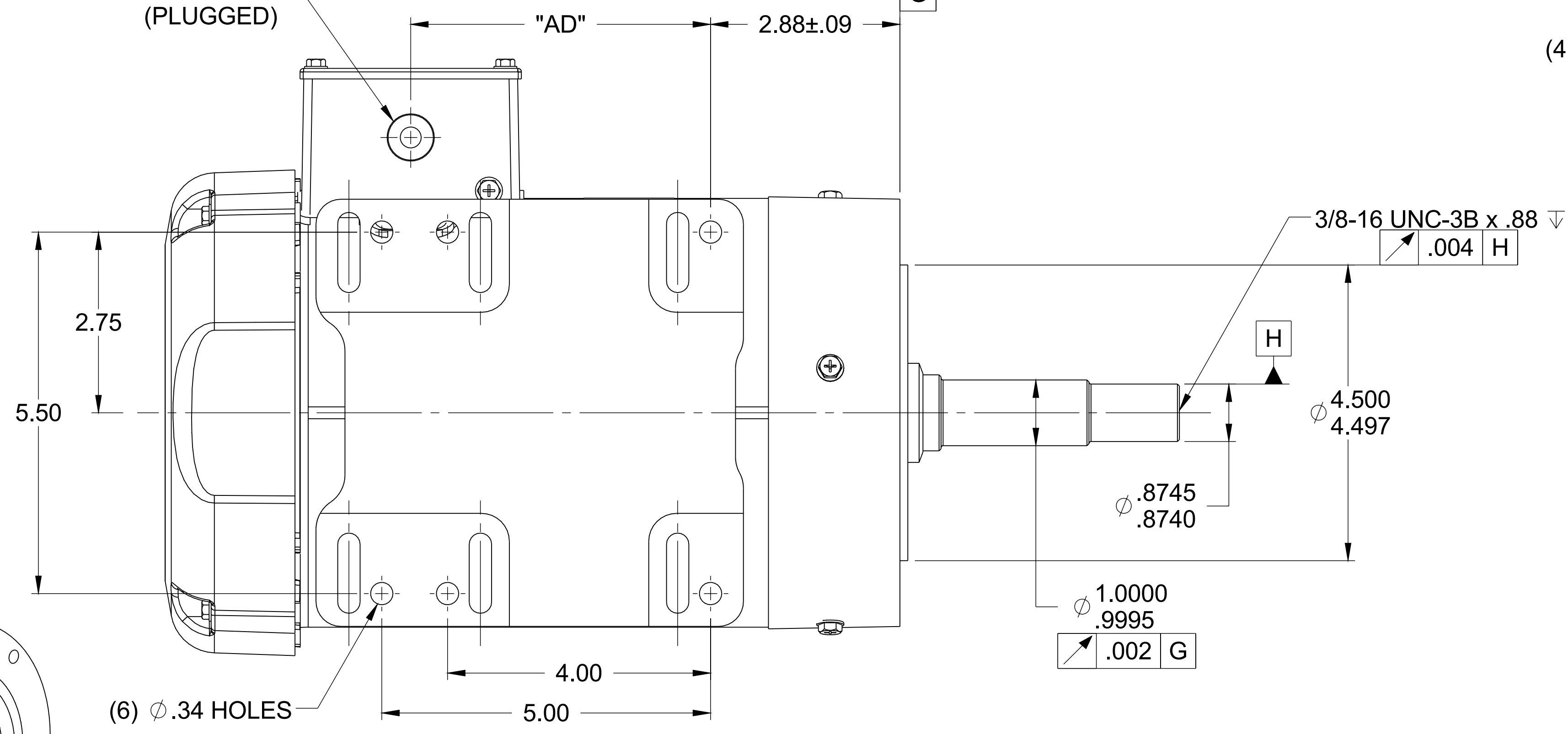


(1) 1/2-14 NPT CONDUIT HOLE (PLUGGED)

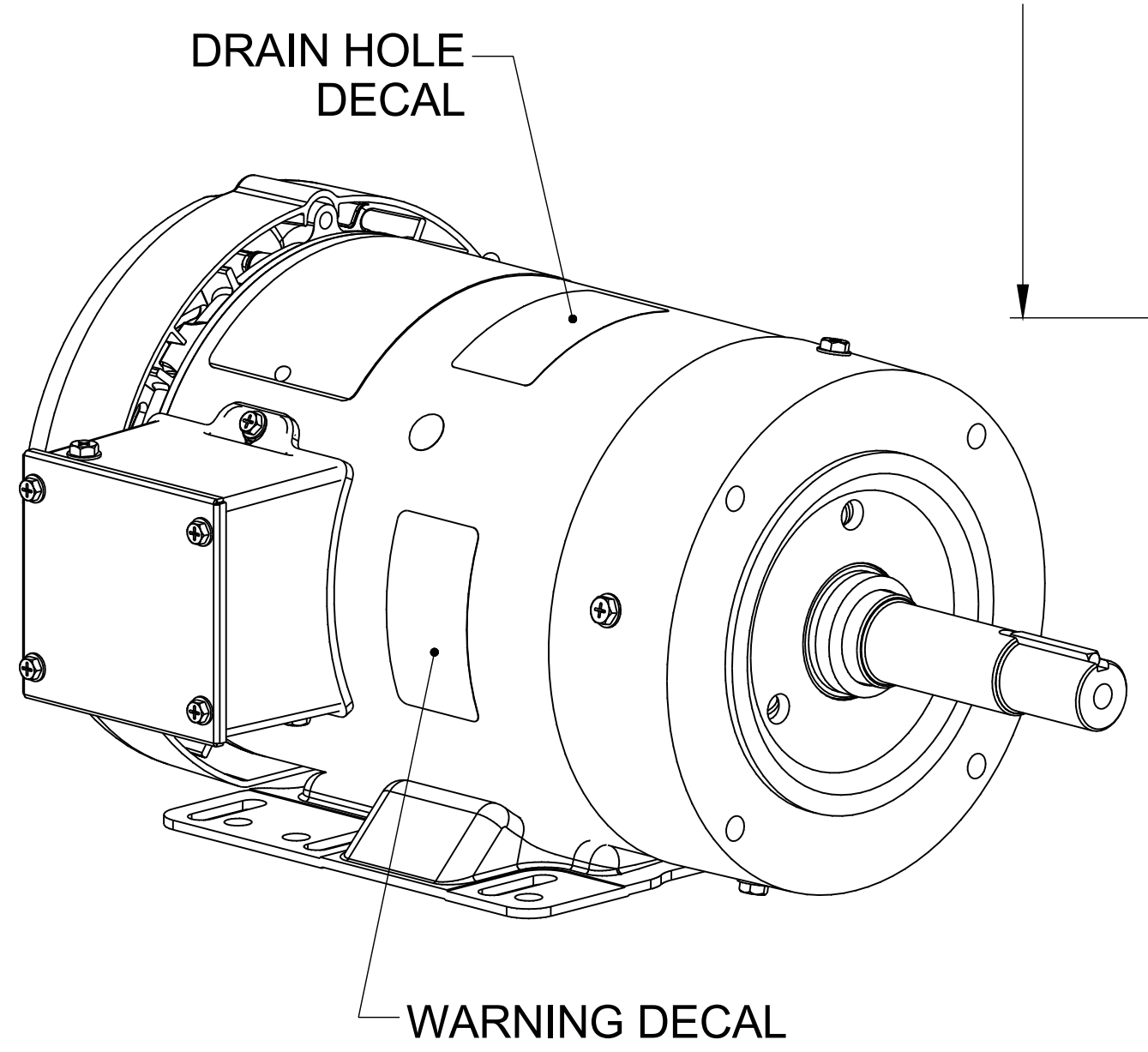


3/8-16 UNC-2B x .56 DEEP
(4) REQ'D. ON A ϕ 5.875 B.C.

DECAL CONNECTION UNDER COVER

WASHGUARD MOTOR

- SPECIAL FEATURES:
1. SHAFT SEALS & V-RING.
 2. PLUGGED DRAIN HOLES IN ENDBELLS & CONDUIT BOX.
 3. BUNA-N GASKETS THROUGHOUT.
 4. STAINLESS STEEL SHAFT, HARDWARE & NAMEPLATE.



DASH NO.	"C"	"AD"
700	15.43	4.56
750	15.93	5.06
800	16.43	5.56

TOLERANCES UNLESS SPECIFIED						DRAWN UD 12/27/12	
DEC	INCHES	CHK AB 12/27/12					
.X	±.1	APPR					
.XX	±.03	SCALE 3:8					
.XXX	±.005	REF 607-0013					
.XXXX	±.0005	FMF 143TTWR14003					
NO	REVISION	BY & DATE	CHK ANG ±1/2°	FINISH	PAGE OF		
THIRD ANGLE PROJECTION			RFP	PREV	SIZE	DRAWING NO	REV
				NETWORK FILE NAME	607-0013ME	B	607-0013ME