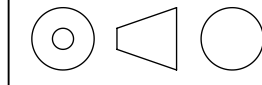


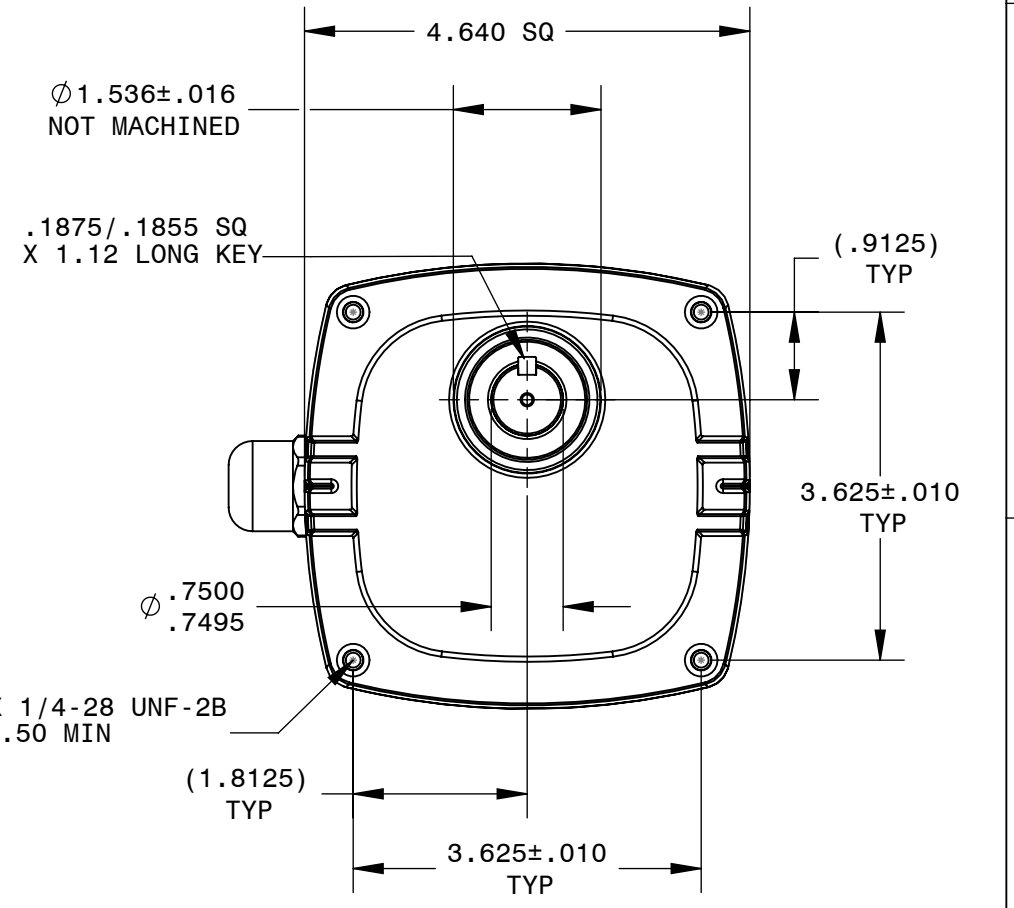
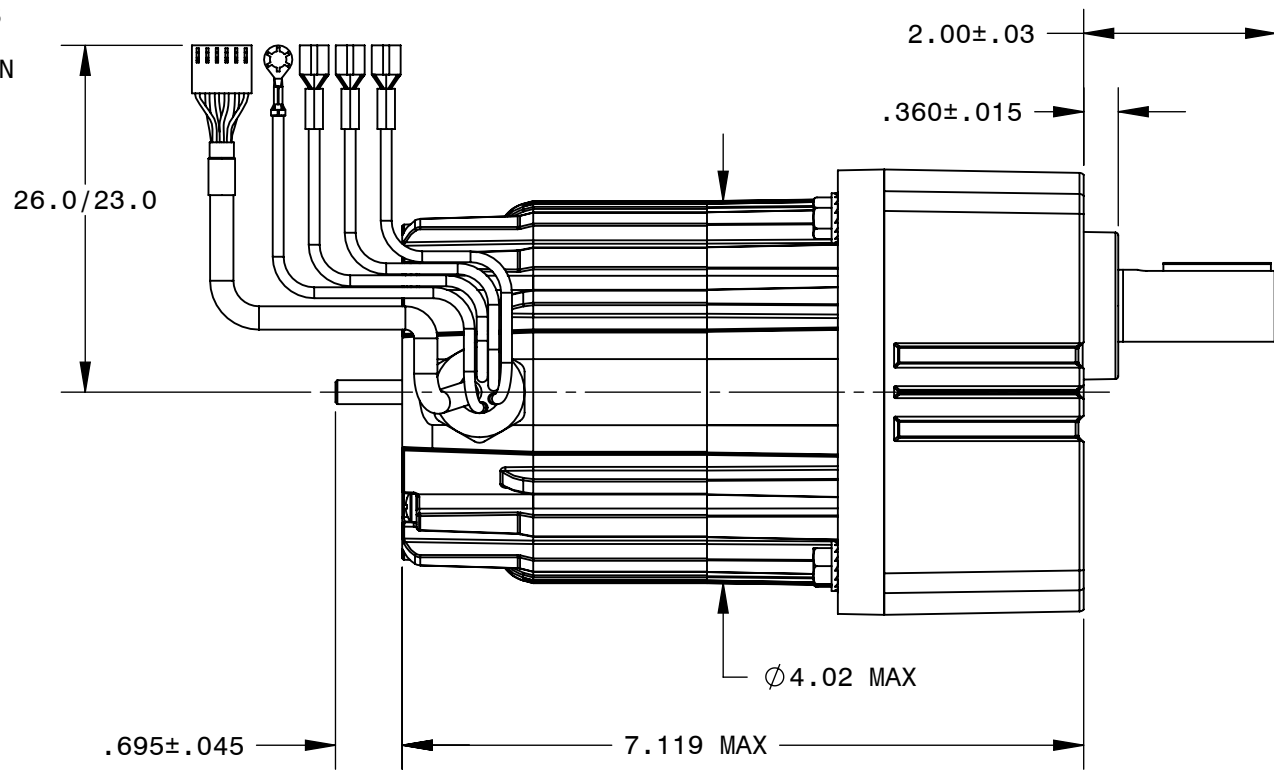
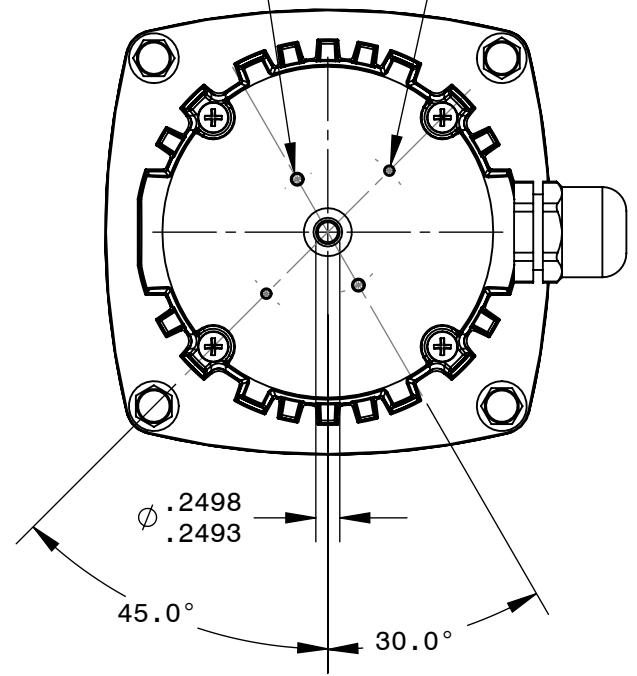
**BODINE ELECTRIC COMPANY**

PART NO./REV:	INFM0281	B
DESCRIPTION:	GEARMOTOR 34B4FEBL-E/F	
SHEET:	1/1	UNLESS OTHERWISE SPECIFIED:
SCALE:	1:2	UNITS ARE IN INCHES [mm]
<b>B</b>		TOLERANCES: .XX:±.01 .XXX:±.005
		ANGLES: X°:±3° X.X°:±0.5°



2X 6-32 UNC-2B  
 ↓.19 MAX  
 180.0° APART ON  
 Ø1.274 B.C.

2X 4-40 UNC-2B  
 ↓.19 MAX  
 180.0° APART ON  
 Ø1.812 B.C.



REPRESENTATIVE OF MODEL NUMBER(S):  
 3685 3683 3682 3680

