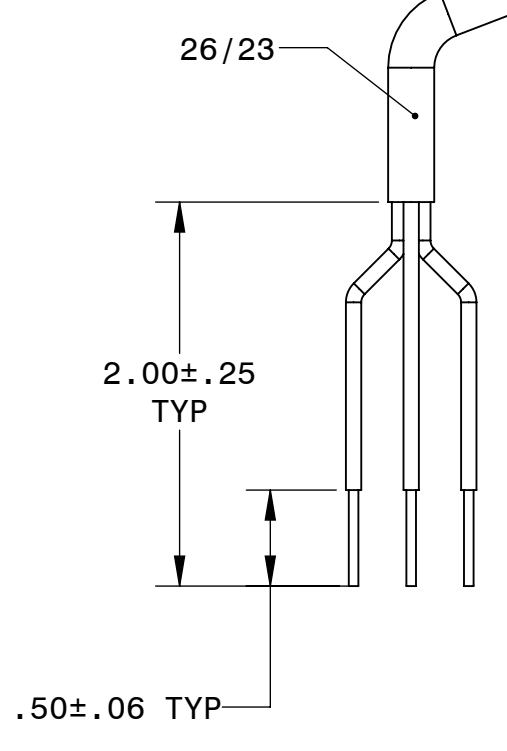
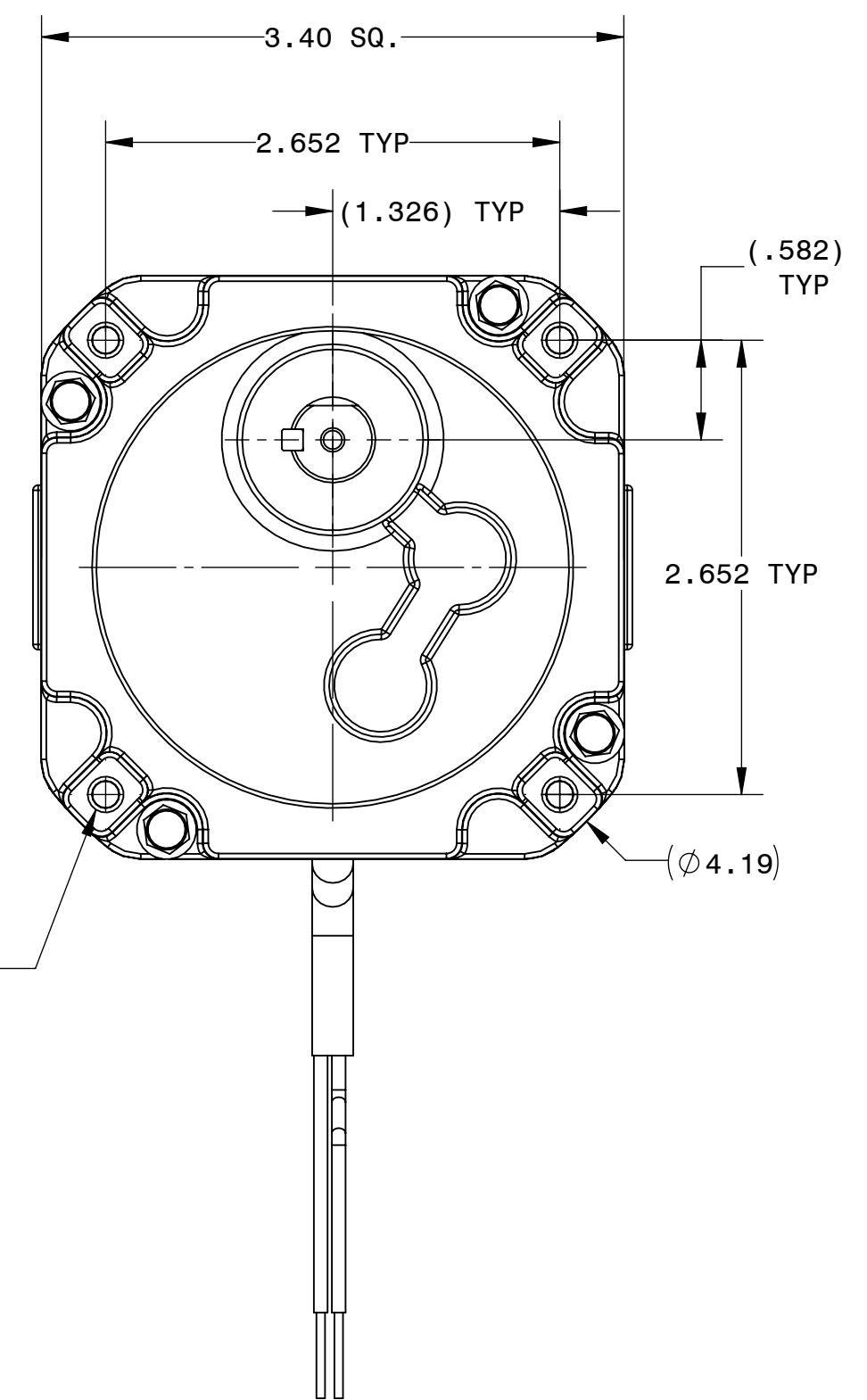
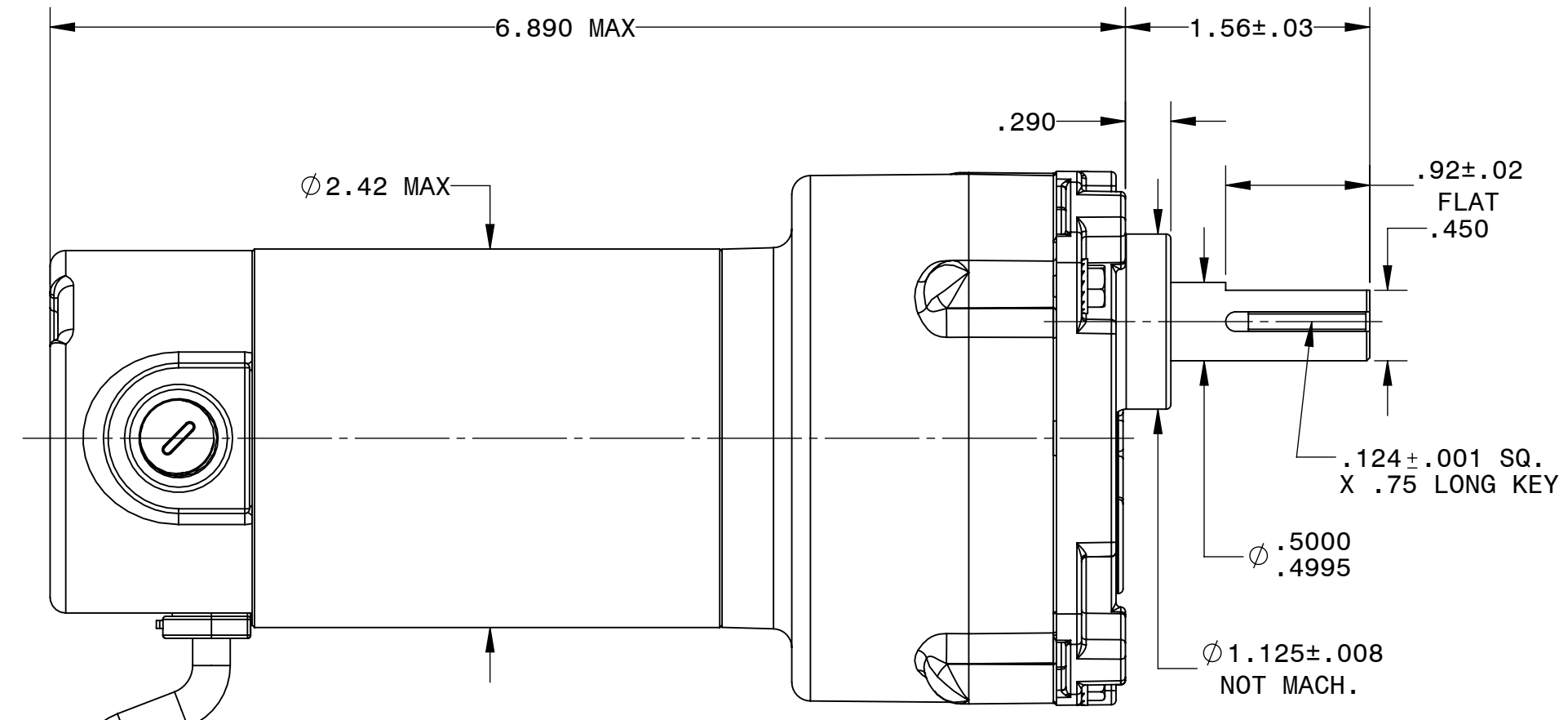
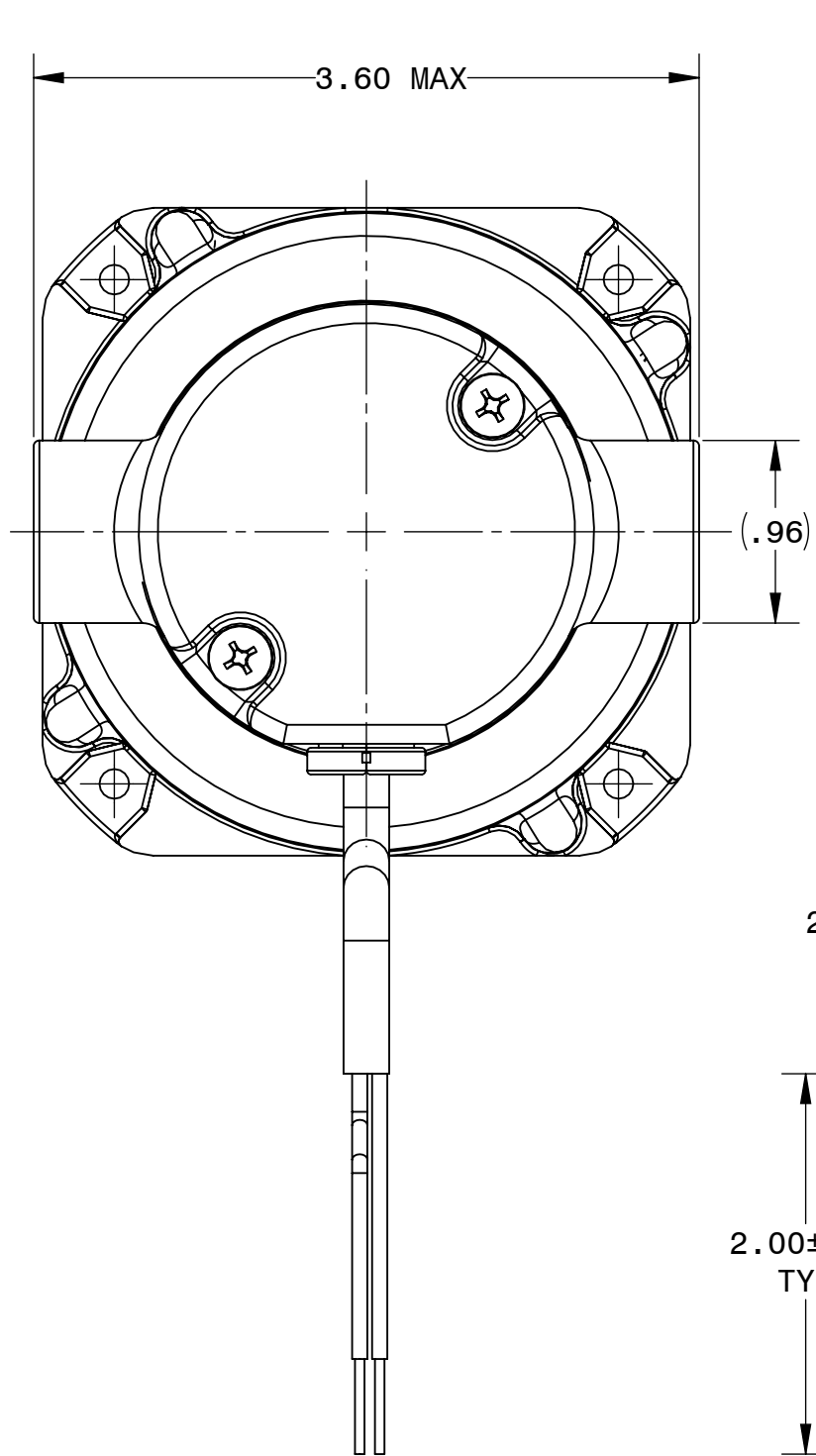
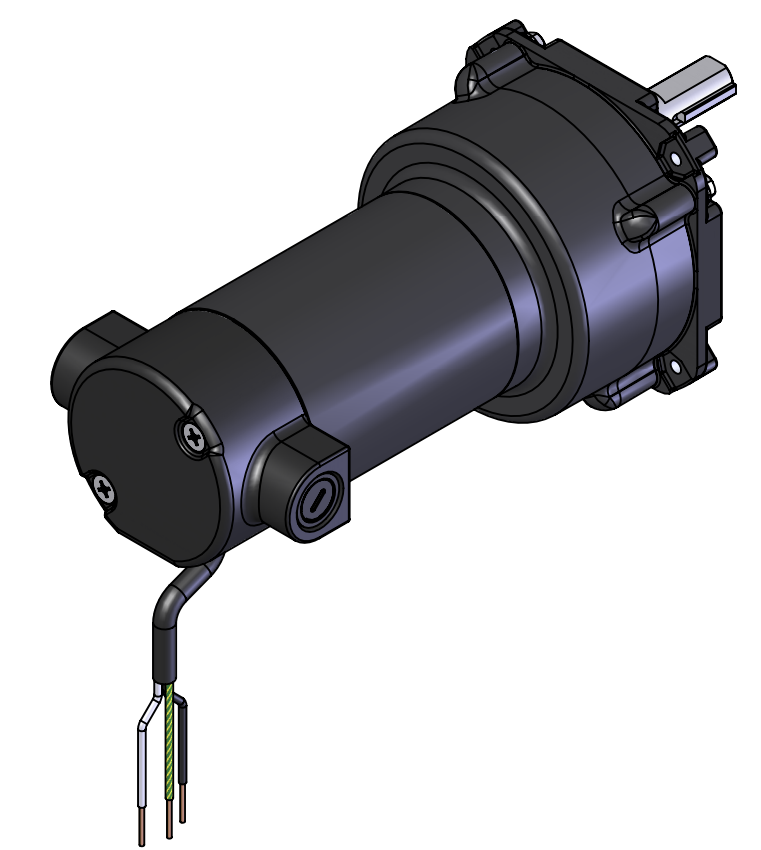


DESCRIPTION:  
GEARMOTOR 24A4BEPM-Z2

SHEET:	1/1	UNLESS OTHERWISE SPECIFIED:
SCALE:	1:1	UNITS ARE IN INCHES [mm]
	C	TOLERANCES: .XX:±.01 .XXX:±.005
		ANGLES: X°:±3° X.X°:±0.5°



[4] #10-32 UNF-2B  
.377 MIN ↓



REPRESENTATIVE OF MODEL NUMBER(S):  
0157 0158 0159 4657 4658 4659 7159