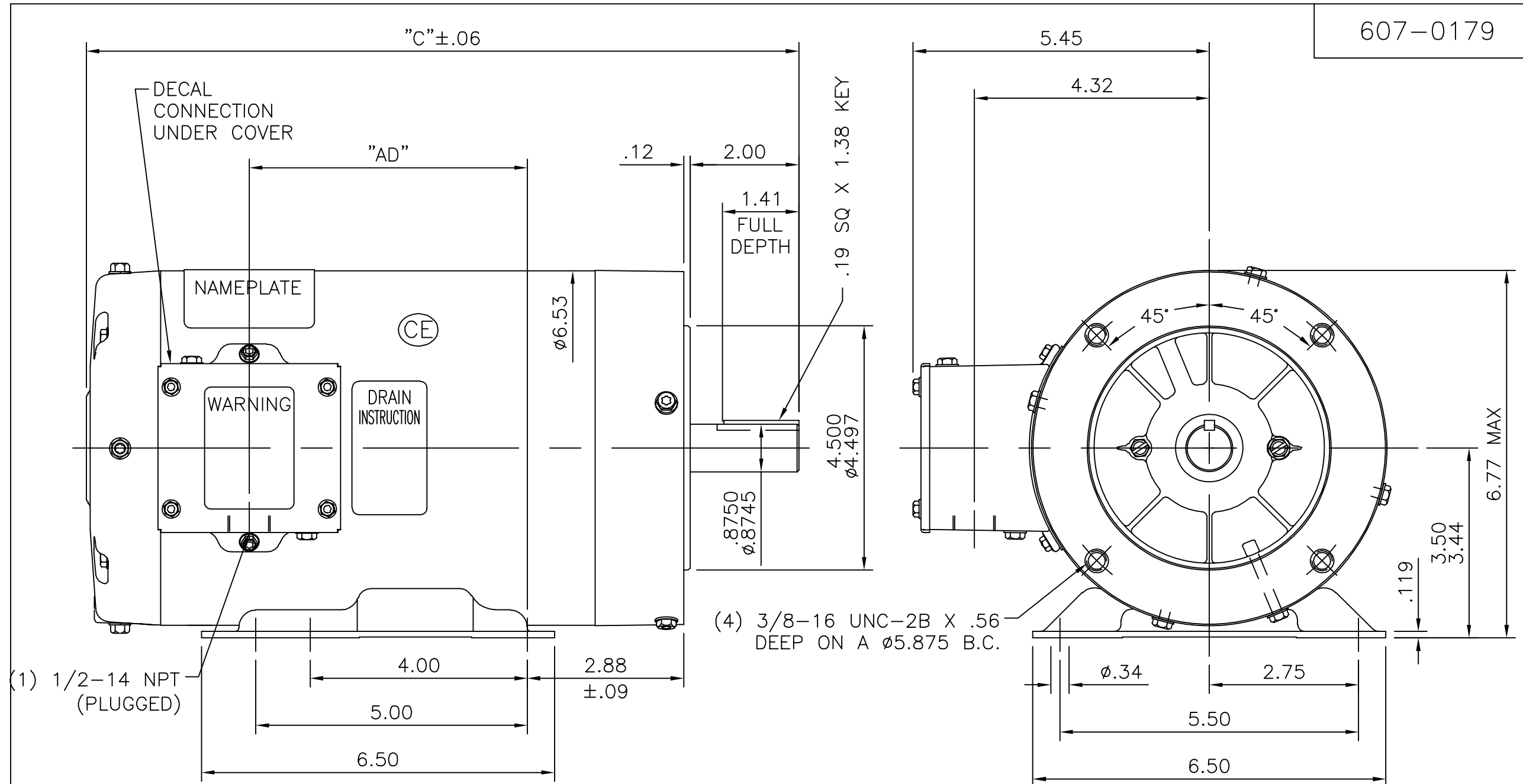


607-0179



SPECIAL FEATURES:

- 1) SHAFT SEAL & V-RING
- 2) PLUGGED DRAIN HOLES IN BOTH ENDBELLS & CONDUIT BOX
- 3) GASKETS THROUGHOUT
- 4) STAINLESS STEEL SHAFT, HARDWARE & NAMEPLATE

DASH NO.	"C"	"AD"
700	12.12	4.13
750	12.62	4.63
800	13.12	5.13

MAXIMUM FACE RUNOUT .004 T.I.R.  
 MAXIMUM PILOT ECCENTRICITY .004 T.I.R.  
 PERMISSIBLE SHAFT RUNOUT .002 T.I.R.

NO.		REVISION	BY & DATE	CHK	ANG	FINISH	DRAWING NO.		REV.
00		NEW RELEASE					607-0179	A	00
THIS DRAWING IN DESIGN AND DETAIL IS OUR PROPERTY AND MUST NOT BE USED EXCEPT IN CONNECTION WITH OUR WORK ALL RIGHTS OF DESIGN AND INVENTION ARE RESERVED THIS IS AN ELECTRONICALLY GENERATED DOCUMENT - DO NOT SCALE THIS PRINT				RFP		CAD FILE	607-0179		
				DIST					



TITLE  
 OUTLINE - 145TC FRAME  
 TENV - RIGID "C"

DRAWN JD 09/02/2014  
 CHK  
 APPD  
 SCALE 3=8  
 REF 034965  
 FMF 145TTVR5030  
 PREV