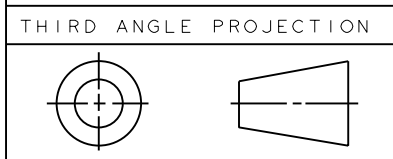
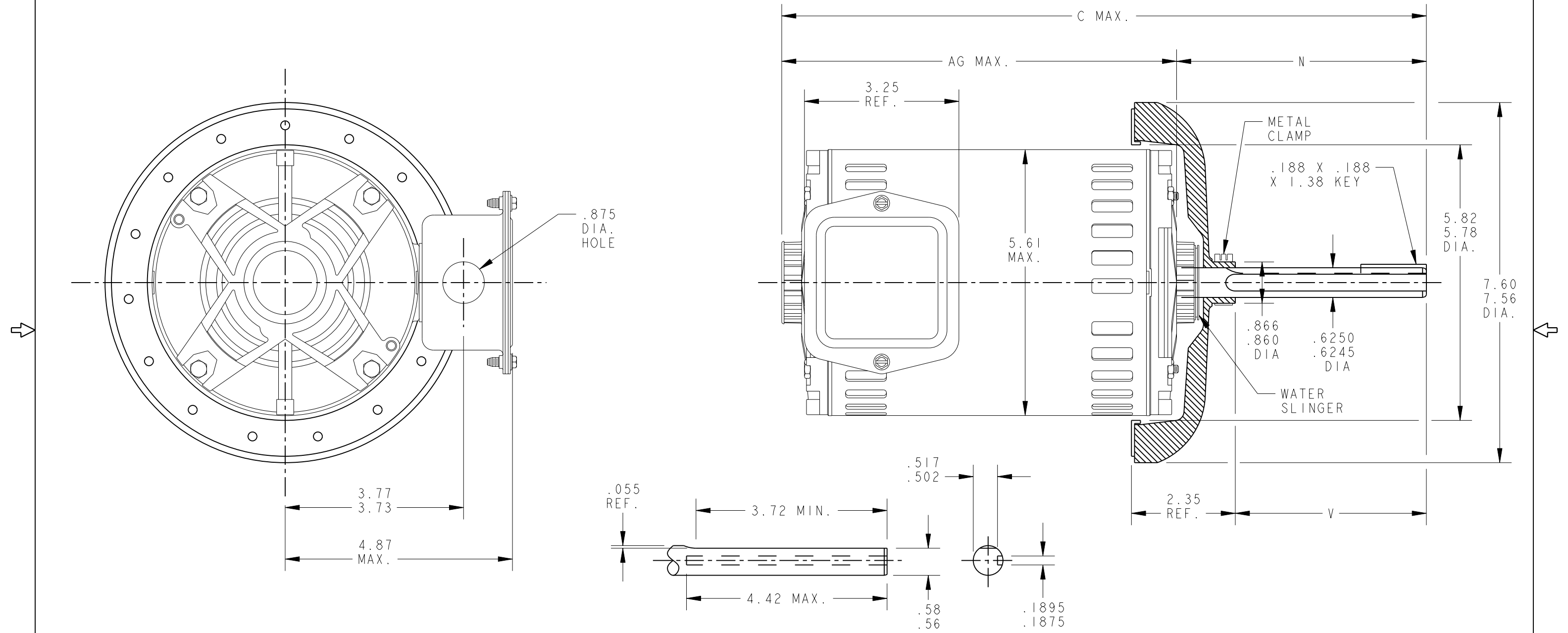


RBC PROPRIETARY AND CONFIDENTIAL INFORMATION

This document is the property of REGAL BELOIT CORPORATION ("RBC") including its subsidiaries and divisions and contains proprietary information of RBC. This document is loaned on the express condition that neither it nor the information contained therein shall be disclosed to others without the express written consent of RBC, and that the information shall be used by the recipient only as approved expressly by RBC. This document shall be returned to RBC upon its request. This document may be subject to certain restrictions under U.S. export control laws and regulations.

REVISIONS			
REV.	DESCRIPTION	DATE	APPROVED
I	UPDATED FORMAT	11/02/05	MAM



I	K, KCP	39	48Z	16.05	5.35 5.29	10.66	4.09 4.05	8.50
P	TYPE	GE SIZE	NEMA FR	C	N	AG	V	SHELL LGTH.

FOR ADDITIONAL INFO REFER TO:	SIGNATURES	DATE
APPLIED PRACTICES	MODEL	DURGA 06/07/04
DIMENSIONS ARE IN INCHES	DETAIL	
TOLERANCE ON:	CHECKED	
1 PL DECIMALS ± 0.0	ENGRG	
2 PL DECIMALS ± 0.02	MFG	
3 PL DECIMALS ± 0.005	QUALITY	
ANGLES ± 1.0	ISSUED	DURGA 06/07/04
FRACTIONS ±	SOLID MODEL: 52B211501	
FINISH		

	REGAL-BELOIT CORPORATION
	TITLE
<b>OUTLINE</b> <b>FORM N - SPECIAL PURPOSE MOTOR PARTS</b> <b>OPEN - BALL BEARING</b>	
SIZE: DRAWING	REV
B	52B211501 1
SCALE: 1.000	SHEET 1 of 1