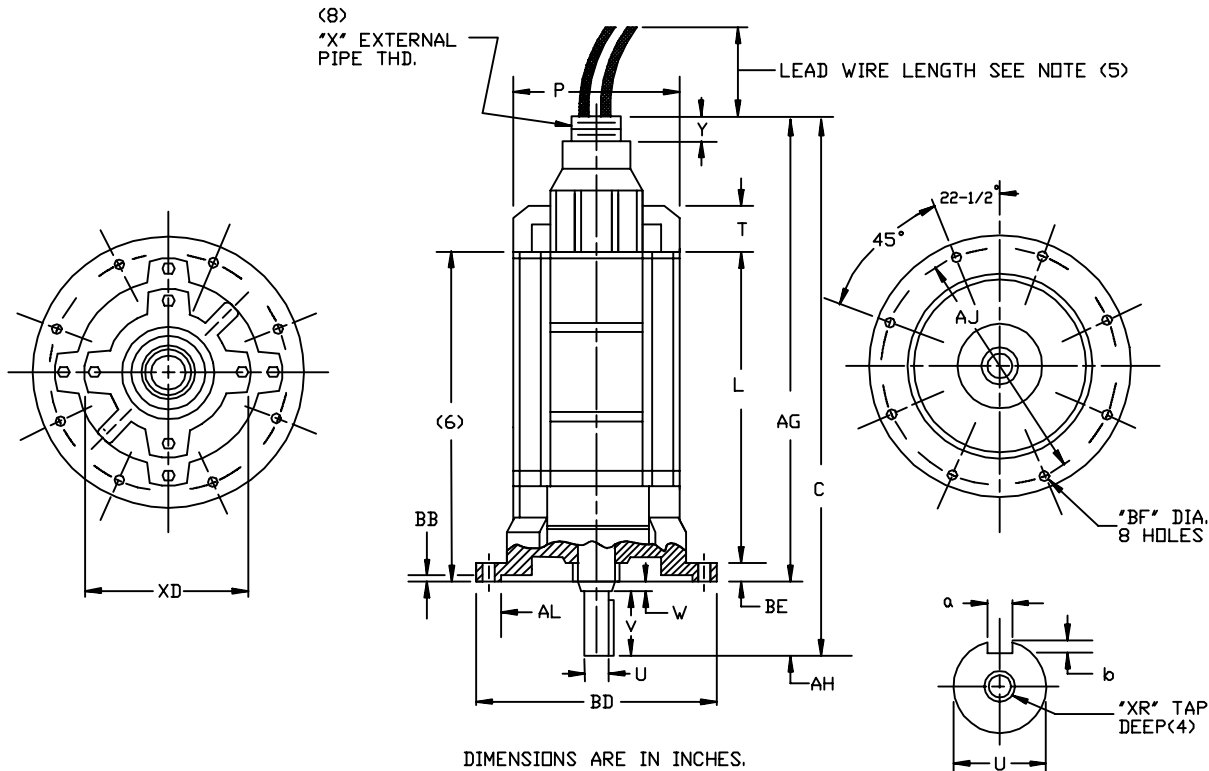


# DUTY MASTER ALTERNATING CURRENT MOTORS

SQUIRREL-CAGE INDUCTION  
ENCLOSURE: TOTALLY ENCLOSED

SUBMERSIBLE  
ONE SIZE SMALLER FLANGE AND SHAFT  
FRAMES 180TY THRU 210TY



FRAME	C	L	P	T	U(3)	V	W	AG	AH	AJ	AL(7)
180TY	25.94	16.50	9.62	2.25	.8750	1.25	.31	24.38	1.56	10.00	9.125
210TY	32.41	21.12	11.50	2.25	1.2500	2.00	.28	30.12	2.28	11.50	10.625
(1)											

FRAME	BD(2)	BE	BF	XR(4)	LEAD CONNECTION			BB	B.E. KEYWAY			WEIGHT
					X	Y	XD		a	b	LENGTH	
180TY	11.062	.75	.44	3/8-16	2-1/2-8	1.25	6.75	.12	.187	.09	1.12	200
210TY	12.375	.75	.56	1/2-13	2-1/2-8	1.25	7.75	.12	.250	.12	1.12	315
(1)												

(1) SPECIAL DIMENSIONS ON THIS LINE.

(2) \*BD\* VARIES ± .010

(3) \*U\* VARIES +.0000, -.0005

(4) TAP DEPTH ON 180TY THRU 210TY IS 1.38

(5) LEAD WIRE LENGTH AS SPECIFIED ON CERTIFICATION

(6) MINIMUM SUBMERGED DEPTH.

(7) \*AL\* VARIES +.004, -.000

FACE RUNOUT AND ECCENTRICITY .008 MAX. T.I.R.  
PROTECTIVE CONDUIT FURNISHED BY CUSTOMER.

(8) 3" - 8 PIPE THREAD SUPPLIED WITH CABLE  
SIZES NO. 4 AND LARGER.

FRAME- \_\_\_\_\_ TYPE- \_\_\_\_\_ CERTIFIED FOR- \_\_\_\_\_  
ORDER- \_\_\_\_\_ ITEM- \_\_\_\_\_ HP- \_\_\_\_\_ RPM- \_\_\_\_\_ PH- \_\_\_\_\_ HZ- \_\_\_\_\_ VOLTS \_\_\_\_\_  
RELIANCE SALES ORDER- \_\_\_\_\_ APPROVED BY- \_\_\_\_\_ DATE \_\_\_\_\_

**RELIANCE  
ELECTRIC**   
CLEVELAND, OHIO 44117 U.S.A.

DR. BY R.L.B.  
CK. BY H.B.T.  
APP. BY D.C.Y.  
DATE 4-16-69

**DIMENSION  
SHEET**

**66930-20**  
ISSUE DATE: MAY 14, 1997