

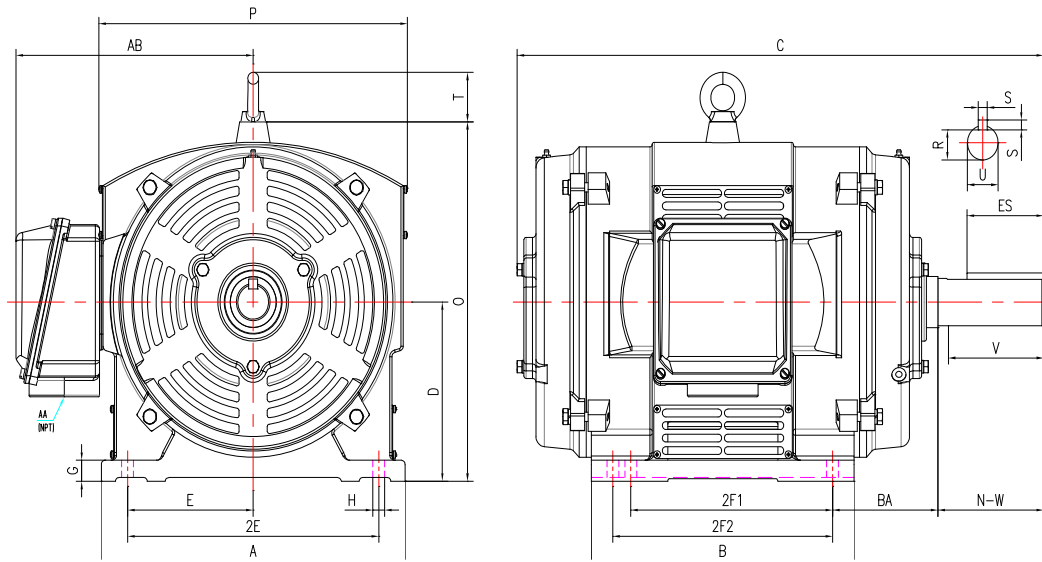
PE404T-100-4-BB-ODP

GENERAL PURPOSE ELECTRIC MOTOR

NEMA PREMIUM EFFICIENCY

CAST IRON CONSTRUCTION - OPEN DRIP PROOF

INVERTER DUTY 10:1 CT; 20:1 VT - NEMA MG1 PART 31



DIMENSIONS

HP	RPM	Frame	MOUNTING														
			A	B	C	D	G	H	J	E	2E	2F1	2F2	O	P	T	BA
100	1800	404T	19.10	17.00	33.30	10.00	1.15	0.81	NA	8.00	16.00	12.25	13.75	21.00	2.60	20.25	6.62

Shaft Extension, Key Set						Conduit Box		Bearings		Mount
U	V	R	S	ES	N-W	AA	AB	DE	ODE	
2.88	7.00	2.45	0.75	5.65	7.25	3.00	14.50	6313	6314	F1

BEARING LUBRICATION: The bearings come lubricated with Mobil Polyrex EM Polyurea Grease. It is recommended that you add some additional lubrication when the motor is installed.

Three options (brands) for suitable lubrication include, but are not limited to, the following:

- 1.) Mobil Polyrex EM
- 2.) Citco Polyurea MP
- 3.) Conoco Phillips Polytac EP





PE404T-100-4-BB-ODP

**GENERAL PURPOSE ELECTRIC MOTOR
 NEMA PREMIUM EFFICIENCY
 CAST IRON CONSTRUCTION - OPEN DRIP PROOF
 INVERTER DUTY 10:1 CT; 20:1 VT - NEMA MG1 PART 31**

PERFORMANCE DATA

HP	RPM	Frame	Voltage	Frequency (Hz)	Full Load S.F.	Insulation Class	NEMA Design	Slip (%)	NEMA Code	Enclosure Type	IP Rating	Max. Ambient
100	1785	404T	208-230/460	60	1.25	F	B	0.83	G	ODP	23	40° C

Amps (460V)		Efficiency (%)				Power Factor			Torque (ft-lb)			DE Bearing	ODE Bearing	Connection	Weight (lbs.)
FLA	LRA	100%	75%	50%	Min.	100%	75%	50%	FLT	LRT %	BDT %				
112.0	725.0	95.4	95.0	94.6	94.5	0.87	0.84	0.77	296.0	150	240	6313	6314	12 Lead 2Δ/Δ	1058

NAME PLATE

										CONNECTION DIAGRAMS 208-230V 		
CAT NO: PE404T-100-4-BB-ODP			FRAME 404T				PHASE 3					
HZ 60	S.F. 1.25	HZ 50	S.F. 1.0	ENCL ODP	IP 23							
HP 100	RPM 1785	HP 100	RPM 1485	DUTY CONT	DES B							
VOLTS 208-230/460		VOLTS 190/380		AMB 40° C	INS F							
FLA 247.7 - 224 / 112		FLA 274/137		DE BEARING 6313								
CODE G	P.F. 0.87	CODE D	P.F. 0.88	ODE BEARING 6314								
EFF 95.4	MIN 94.5	EFF 94.1	MIN 93	LUB: Mobil Polyrex EM								
MOTOR WEIGHT 1058 LBS		CONNECTION 12 Lead 2Δ/Δ			SER NO							
General purpose use on industrial machinery installed in environments with minimal dirt and moisture. Hernando, Mississippi										460V 		
ISO9001 CERTIFIED CE CSA US CC 082A												

APPLICATIONS:

General purpose use on pumps, fans, blowers, compressors, conveyors, material handling and other industrial machinery installed in environments with minimal dirt and moisture.