

PESS256TC20M-4

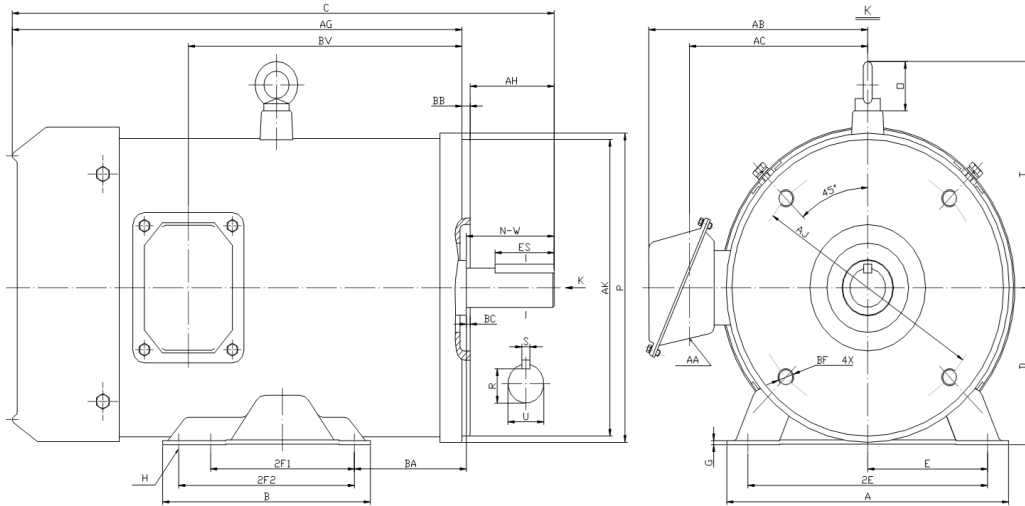
WASHDOWN DUTY MOTOR

NEMA PREMIUM EFFICIENCY

STAINLESS STEEL CONSTRUCTION - C-FLANGE WITH FEET

TOTALLY ENCLOSED FAN COOLED - IP66 CONSTRUCTION

INVERTER DUTY 10:1 CT; 20:1 VT - NEMA MG1 PART 31



DIMENSIONS

HP	RPM	Frame	Mounting													
			A	B	C	D	G	H	E	2E	2F1	2F2	P	AK	AJ	AH
20	1800	256TC	11.20	11.25	24.80	6.25	0.47	0.53	5.00	10.00	0.00	10.00	11.72	8.500	7.250	3.75

Mounting					Shaft Extension, Key Set					Conduit Box				Bearings		Mount
AG	BA	BB	BC	BF	U	R	S	ES	N-W	AA	AB	AC	BV	DE	ODE	
20.80	4.75	0.25	0.25	4*1/2-13	1.625	1.416	0.375	2.91	4.00	1.00	9.50	7.80	14.10	6309-2RS	6309-2RS	F1

BEARING LUBRICATION: The bearings come lubricated with Mobil Polyrex EM Polyurea Grease.



PESS256TC20M-4

WASHDOWN DUTY MOTOR
NEMA PREMIUM EFFICIENCY
STAINLESS STEEL CONSTRUCTION - C-FLANGE WITH FEET
TOTALLY ENCLOSED FAN COOLED - IP66 CONSTRUCTION
INVERTER DUTY 10:1 CT; 20:1 VT - NEMA MG1 PART 31

PERFORMANCE DATA

HP	RPM	Frame	Voltage	Frequency (Hz)	Full Load S.F.	Insulation Class	NEMA Design	Slip (%)	NEMA Code	Enclosure Type	IP Rating	Max. Ambient
20	1765	256TC	208-230/460	60	1.15	F	B	1.9	G	TEFC	66	40° C

Amps (460V)		Efficiency (%)				Power Factor			Torque (ft-lb)			DE Bearing	ODE Bearing	Connection	Weight (lbs.)
FLA	LRA	100%	75%	50%	Min.	100%	75%	50%	FLT	LRT %	BDT %				
24.5	145.0	93.0	92.5	92.0	91.5	0.88	0.75	0.63	58.6	200	250	6309-2RS	6309-2RS	12 Lead 2Δ/Δ	352

NAME PLATE

				WASHDOWN DUTY STAINLESS STEEL MOTORS		CONNECTION DIAGRAMS	
INVERTER DUTY 20:1 VT; 10:1 CT		WASHDOWN DUTY STAINLESS STEEL MOTORS		CONNECTION DIAGRAMS		CONNECTION DIAGRAMS	
CAT NO: PESS256TC20M-4		FRAME 256TC		PHASE 3		208-230V	
HZ 60	S.F. 1.15	HZ 50	S.F. 1.0	ENCL TEFC	IP 66		
HP 20	RPM 1765	HP 20	RPM 1465	DUTY CONT	DES B		
VOLTS 208-230/460		VOLTS 190/380		AMB 40° C	INS F		
FLA 53-49/24.5	FLA 58/29		DE BEARING 6309-2RS				
CODE G	P.F. 0.88	CODE G	P.F. 0.90	ODE BEARING 6309-2RS			
EFF 93.0	MIN 91.5	EFF 91.5	MIN 89.5	LUB: Mobil Polyrex EM			
MOTOR WEIGHT 352 LBS	CONNECTION 12 Lead 2Δ/Δ		SER NO				
Special purpose motor designed for washdown applications and extremely corrosive environments. Hernando, Mississippi							

APPLICATIONS:

Applications include washdown applications, food processing, chemical processing, pharmaceuticals, poultry processing, meat processing, dairy applications, bakeries, snack foods, bottling and extremely corrosive environments.