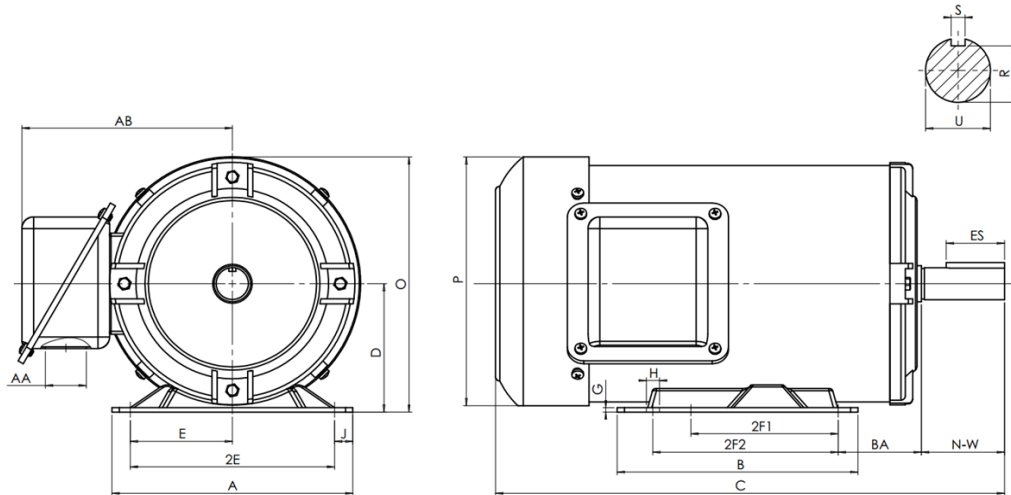


**PR143T1.5M2A**

**GENERAL PURPOSE ELECTRIC MOTOR  
 NEMA PREMIUM EFFICIENCY  
 TOTALLY ENCLOSED FAN COOLED  
 ROLLED STEEL CONSTRUCTION  
 INVERTER RATED (10:1 VT; 5:1 CT)**



**DIMENSIONS**

HP	RPM	Frame	MOUNTING														
			A	B	C	D	G	H	J	E	2E	2F1	2F2	O	P	T	BA
1.5	3600	143T	6.50	6.50	11.50	3.50	0.12	0.36	0.50	2.75	5.50	4.00	5.00	7.00	6.80	NA	2.25

Shaft Extension, Key Set						Conduit Box		Bearings		Mount
U	V	R	S	ES	N-W	AA	AB	DE	ODE	
0.875	NA	0.771	0.188	1.41	2.25	1.10	5.75	6205-2RZC3	6203-2RZC3	F1

**BEARING LUBRICATION:** The bearings come lubricated with Mobil Polyrex EM Polyurea Grease.





**PR143T1.5M2A**

**GENERAL PURPOSE ELECTRIC MOTOR  
 NEMA PREMIUM EFFICIENCY  
 TOTALLY ENCLOSED FAN COOLED  
 ROLLED STEEL CONSTRUCTION  
 INVERTER RATED (10:1 VT; 5:1 CT)**

**PERFORMANCE DATA**

HP	RPM	Frame	Voltage	Frequency (Hz)	Full Load S.F.	Insulation Class	NEMA Design	Slip (%)	NEMA Code	Enclosure Type	IP Rating	Max. Ambient
1.5	3500	143T	208-230/460	60	1.15	F	B	2.78	N	TEFC	55	40°C

Amps (460V)		Efficiency (%)			Power Factor			Torque (ft-lb)			DE Bearing	ODE Bearing	Connection	Weight (lbs.)
FLA	LRA	100%	75%	50%	100%	75%	50%	FLT	LRT %	BDT %				
1.9	15.6	84.0	85.4	82.1	0.86	0.82	0.71	2.27	361	406	6205-2RZC3	6203-2RZC3	9 Lead 2Y/Y	27

NAME PLATE												
3 PHASE AC INDUCTION MOTOR												
CAT NO.	PR143T1.5M2A					FRAME	143T	PH	3			208-230V T4 T5 T6 T7 T8 T9 T1 T2 T3 L1 L2 L3
HZ	60	SF	1.15		ENCL	TEFC	IP	55				
HP	1.5	RPM	3500		DUTY	CONT	DES	B				
VOLTS	208-230/460					AMB	40 °C	INS	F			
FLA	4.2-3.8/1.9					DE.BRG	6205-2RZC3					460V T4 T5 T6 T7 T8 T9 T1 T2 T3 L1 L2 L3
CODE	N	P.F	0.86		ODE.BRG	6203-2RZC3						
EFF	84	MIN	81.5		LBS	27						
CONNECTION	9 Lead 2Y/Y					SER NO						
Hernando, MS <a href="http://www.naemotors.com">www.naemotors.com</a>										<b>CC 340B</b>		

**APPLICATIONS:**

General purpose use on pumps, fans, blowers, compressors, conveyors, material handling and other industrial machinery installed in damp, dusty or dirty environments.