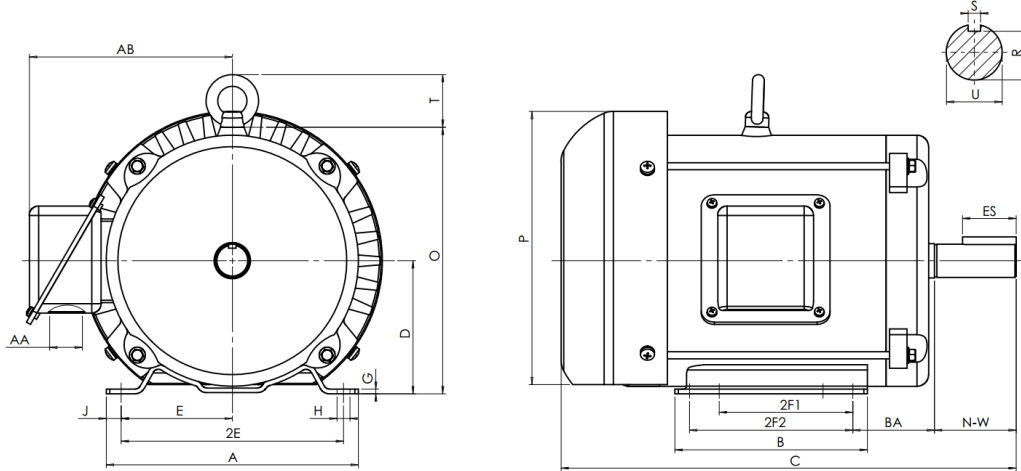


**PR182T3M2A**

**GENERAL PURPOSE ELECTRIC MOTOR  
 NEMA PREMIUM EFFICIENCY  
 TOTALLY ENCLOSED FAN COOLED  
 ROLLED STEEL CONSTRUCTION  
 INVERTER RATED (10:1 VT; 5:1 CT)**



**DIMENSIONS**

HP	RPM	Frame	MOUNTING														
			A	B	C	D	G	H	J	E	2E	2F1	2F2	O	P	T	BA
3	3600	182T	8.50	6.50	15.35	4.50	0.16	0.43	0.50	3.75	7.50	4.50	5.50	9.10	9.30	1.50	2.75

Shaft Extension, Key Set						Conduit Box		Bearings		Mount
U	V	R	S	ES	N-W	AA	AB	DE	ODE	
1.125	NA	0.986	0.250	1.78	2.75	1.10	6.90	6206-2RZC3	6205-2RZC3	F1

**BEARING LUBRICATION:** The bearings come lubricated with Mobil Polyrex EM Polyurea Grease.





**PR182T3M2A**

**GENERAL PURPOSE ELECTRIC MOTOR  
 NEMA PREMIUM EFFICIENCY  
 TOTALLY ENCLOSED FAN COOLED  
 ROLLED STEEL CONSTRUCTION  
 INVERTER RATED (10:1 VT; 5:1 CT)**

**PERFORMANCE DATA**

HP	RPM	Frame	Voltage	Frequency (Hz)	Full Load S.F.	Insulation Class	NEMA Design	Slip (%)	NEMA Code	Enclosure Type	IP Rating	Max. Ambient
3	3540	182T	208-230/460	60	1.15	F	B	1.67	L	TEFC	55	40°C

Amps (460V)		Efficiency (%)			Power Factor			Torque (ft-lb)			DE Bearing	ODE Bearing	Connection	Weight (lbs.)
FLA	LRA	100%	75%	50%	100%	75%	50%	FLT	LRT %	BDT %				
3.6	26.3	86.5	87.7	85.3	0.87	0.84	0.75	4.40	231	392	6206-2RZC3	6205-2RZC3	9 Lead 2Y/Y	75

NAME PLATE												
<span style="font-size: 1.2em; font-weight: bold; vertical-align: middle;">North American Electric, Inc.</span>												
<b>3 PHASE AC INDUCTION MOTOR</b>												
CAT NO.	PR182T3M2A					FRAME	182T	PH	3			208-230V 
HZ	60	SF	1.15		ENCL	TEFC	IP	55				
HP	3	RPM	3540		DUTY	CONT	DES	B				
VOLTS	208-230/460					AMB	40 °C	INS	F			
FLA	7.8-7.2/3.6					DE.BRG	6206-2RZC3					460V 
CODE	L	P.F	0.87		ODE.BRG	6205-2RZC3						
EFF	86.5	MIN	84		LBS	75						
CONNECTION	9 Lead 2Y/Y					SER NO						
Hernando, MS <a href="http://www.naemotors.com">www.naemotors.com</a>												<b>CC 340B</b>

**APPLICATIONS:**

General purpose use on pumps, fans, blowers, compressors, conveyors, material handling and other industrial machinery installed in damp, dusty or dirty environments.