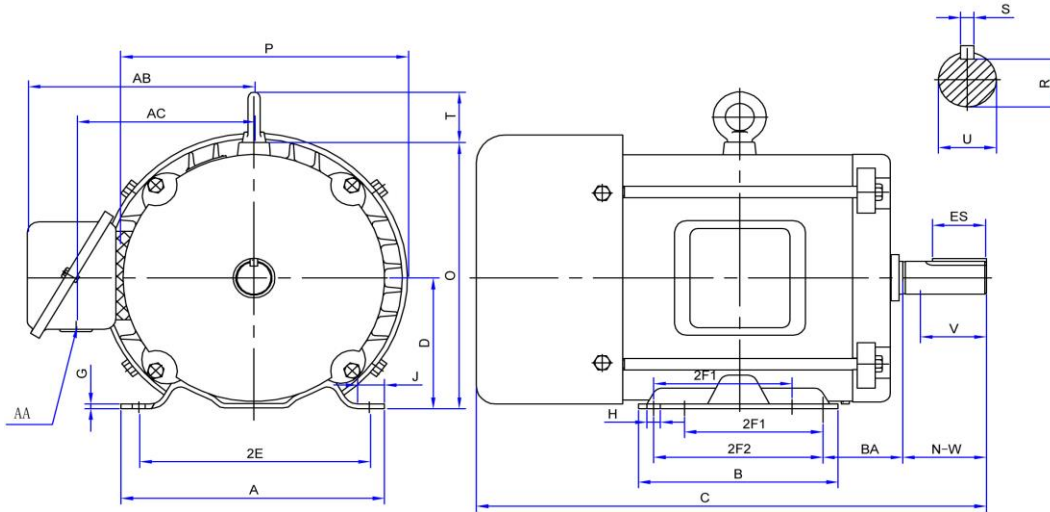


PR213T7.5M2A

**GENERAL PURPOSE ELECTRIC MOTOR
 HIGH EFFICIENCY / EISA COMPLIANT
 TOTALLY ENCLOSED FAN COOLED
 ROLLED STEEL CONSTRUCTION
 INVERTER RATED (10:1 VT; 5:1 CT)**



DIMENSIONS

HP	RPM	Frame	MOUNTING														
			A	B	C	D	G	H	J	E	2E	2F1	2F2	O	P	T	BA
7.5	3600	213T	10.40	8.50	19.00	5.25	0.16	0.45	1.61	4.25	8.50	5.50	7.00	10.60	11.60	2.00	3.50

Shaft Extension, Key Set						Conduit Box		Bearings		Mount
U	V	R	S	ES	N-W	AA	AB	DE	ODE	
1.375	3.00	1.201	0.312	2.38	3.38	1.38	8.50	6307-2RZC3	6206-2RZC3	F1

BEARING LUBRICATION: The bearings come lubricated with Mobil Polyrex EM Polyurea Grease.





PR213T7.5M2A

GENERAL PURPOSE ELECTRIC MOTOR
HIGH EFFICIENCY / EISA COMPLIANT
TOTALLY ENCLOSED FAN COOLED
ROLLED STEEL CONSTRUCTION
INVERTER RATED (10:1 VT; 5:1 CT)

PERFORMANCE DATA

HP	RPM	Frame	Voltage	Frequency (Hz)	Full Load S.F.	Insulation Class	NEMA Design	Slip (%)	NEMA Code	Enclosure Type	IP Rating	Max. Ambient
7.5	3530	213T	208-230/460	60	1.15	F	B	1.9	H	TEFC	IP55	40°C

Amps (460V)		Efficiency (%)			Power Factor			Torque (ft-lb)			DE Bearing	ODE Bearing	Connection	Weight (lbs.)
FLA	LRA	100%	75%	50%	100%	75%	50%	FLT	LRT %	BDT %				
9.2	61.2	89.5	88.1	85.6	0.86	0.84	0.77	11.06	194	251	6307-2RZC3	6206-2RZC3	9 Lead 2Y/Y	125

NAME PLATE														
THREE PHASE ELECTRIC MOTOR														
MODEL	HP	7.5	RPM	3530	FRAME	213T								
PR213T7.5M2A	ENCL	TEFC	HZ	60	PHASE	3								
VOLT	208-230/460	AMPS	20-18.4/9.2	S.F.	1.15	DESIGN	B							
S.F. AMPS	23-21.2/10.6	CLASS	F	CODE	H	LBS	125							
DE BEARING	6307-2RZC3													
ODE BEARING	6206-2RZC3													
RATING	CONT	MAX AMB.	40°C											
SER														
			208-230V 			460V 								
Hernando, MS www.naemotors.com												CC 0998		

APPLICATIONS:

General purpose use on pumps, fans, blowers, compressors, conveyors, material handling and other industrial machinery installed in damp, dusty or dirty environments.