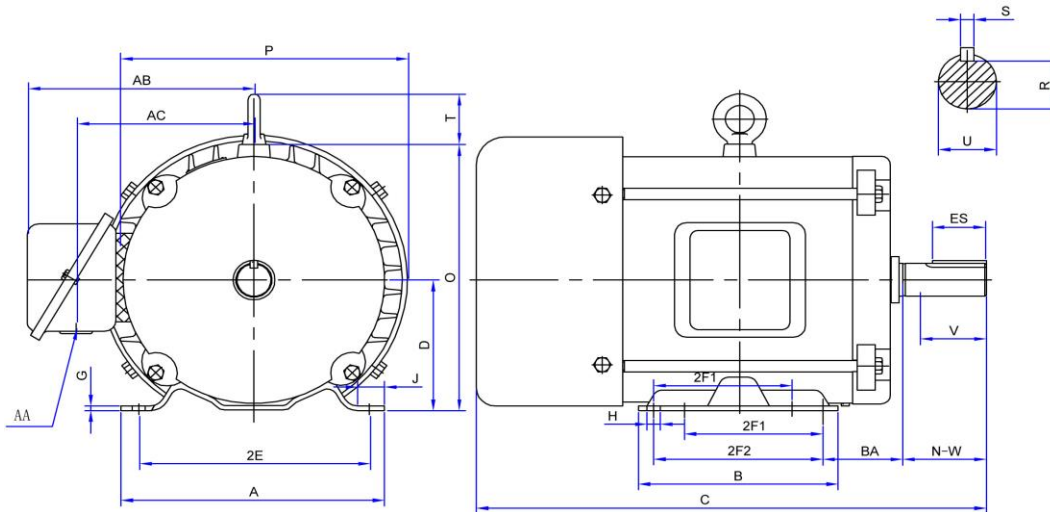


PR215T10M2A

**GENERAL PURPOSE ELECTRIC MOTOR
 HIGH EFFICIENCY / EISA COMPLIANT
 TOTALLY ENCLOSED FAN COOLED
 ROLLED STEEL CONSTRUCTION
 INVERTER RATED (10:1 VT; 5:1 CT)**



DIMENSIONS

HP	RPM	Frame	MOUNTING														
			A	B	C	D	G	H	J	E	2E	2F1	2F2	O	P	T	BA
10	3600	215T	10.40	8.50	19.00	5.25	0.16	0.45	1.61	4.25	8.50	5.50	7.00	10.60	11.60	2.00	3.50

Shaft Extension, Key Set						Conduit Box		Bearings		Mount
U	V	R	S	ES	N-W	AA	AB	DE	ODE	
1.375	3.00	1.201	0.312	2.38	3.38	1.38	8.50	6307-2RZC3	6206-2RZC3	F1

BEARING LUBRICATION: The bearings come lubricated with Mobil Polyrex EM Polyurea Grease.





PR215T10M2A

GENERAL PURPOSE ELECTRIC MOTOR
HIGH EFFICIENCY / EISA COMPLIANT
TOTALLY ENCLOSED FAN COOLED
ROLLED STEEL CONSTRUCTION
INVERTER RATED (10:1 VT; 5:1 CT)

PERFORMANCE DATA

HP	RPM	Frame	Voltage	Frequency (Hz)	Full Load S.F.	Insulation Class	NEMA Design	Slip (%)	NEMA Code	Enclosure Type	IP Rating	Max. Ambient
10	3530	215T	208-230/460	60	1.15	F	B	1.9	H	TEFC	IP55	40°C

Amps (460V)		Efficiency (%)			Power Factor			Torque (ft-lb)			DE Bearing	ODE Bearing	Connection	Weight (lbs.)
FLA	LRA	100%	75%	50%	100%	75%	50%	FLT	LRT %	BDT %	6307-2RZC3	6206-2RZC3	9 Lead 2Y/Y	130
12	76	90.2	90.8	89.3	0.87	0.86	0.81	15.08	173	297				

NAME PLATE													
North American Electric, Inc.													
THREE PHASE ELECTRIC MOTOR													
MODEL		HP		RPM		FRAME							
PR215T10M2A		10		3530		215T							
		ENCL		HZ		PHASE							
		TEFC		60		3							
VOLT		AMPS		S.F.		DESIGN							
208-230/460		26-24/12		1.15		B							
S.F.		CLASS		CODE		LBS							
29.9-27.6/13.8		F		H		130							
DE BEARING		ODE BEARING		RATING		MAX AMB.		<div style="display: flex; justify-content: space-around;"> <div style="text-align: center;"> <p>208-230V</p> </div> <div style="text-align: center;"> <p>460V</p> </div> </div>					
6307-2RZC3		6206-2RZC3		CONT		40°C							
SER													
Hernando, MS www.naemotors.com												CC 0998	

APPLICATIONS:

General purpose use on pumps, fans, blowers, compressors, conveyors, material handling and other industrial machinery installed in damp, dusty or dirty environments.