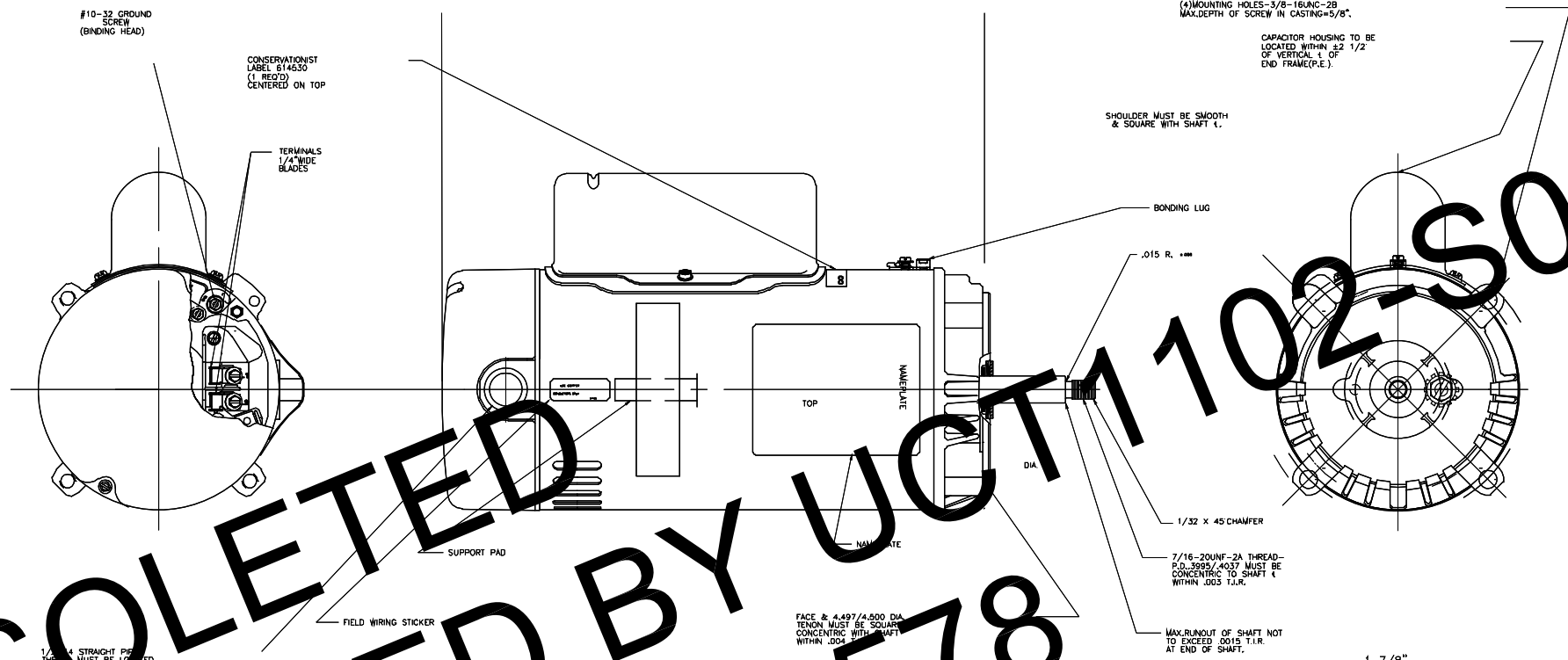


REV	ECO	REV BY	DATE	APPD	DATE
E	0014578	JZ	11-04-2010	TZ	11-04-2010

12409-008



OBSOLETE
REPLACED BY UCT 1102-S01
PER ECO-0014578

NAMEPLATE DATA	EXTERNAL CONNECTION DIAGRAM
MODEL: KA 1100A2 CUR: 1.0 1.0 CCWPE R: 3450 TYPE: 56J CODE: 115/230 AMPS: 11.0/230 PH: 1 DIS: B AMB: 50 THERMALLY PROTECT.	<p>115V VOLTAGE SHOWN. CHECK DIA. COIL TO 115 FOR LOW VOLTAGE. USE COPPER CONDUCTORS ONLY. INSULATE MOTOR WITH VOLTAGE SCHEM. ACCEPTABLE FOR FIELD WIRING</p>
NOTES: (1) FINISH PAINT TO BE SATIN BLACK. (2) 7/16" WRENCH FLATS ON SHAFT- FOR ACCESS TO THIS WRENCH FLAT REMOVE END COVER. (3) STAINLESS STEEL SHAFT EXT.	(4) LIMITS ON AMPLITUDE OF VIBRATION MEASURED AT BEARING HOUSING=.001. (5) CONNECTED FOR HIGH VOLTAGE. QUICK VOLTAGE CHANGE PLUG INCLUDED ON THE TERMINAL BOARD.

PERFORMANCE CURVE NO.	APPROVED SAMPLE OR REF. MODEL			
5 3/64"				
UL COMPONENT	5 5/8" CSA			
FILE #	CON #	DIA.	FILE #	CLASS
E25022	XEMR2		LR43341	4211-01
ENCLOSURE: ODP				

A	01/02/04	JZ	04/0002
B	02/18/04	DRF	04/0046
	08/20/04	DRF	04/4407

GEOMETRIC CHARACTERISTICS & SYMBOLS

- FLATNESS
- STRAIGHTNESS
- ∠ ANGULARITY
- ⊥ PERPENDICULARITY (SQUARENESS)
- // PARALLELISM
- ROUNDNESS (CIRCULARITY)
- ⊘ CYLINDRICITY
- △ PROFILE OF ANY SURFACE
- ∩ PROFILE OF ANY LINE
- ↗ RUNOUT
- ⊕ TRUE POSITION
- ◎ CONCENTRICITY
- ≡ SYMMETRY

UNLESS OTHERWISE SPECIFIED DIM. TOLERANCES ARE AS FOLLOWS:

INCH X XX XXX XXXX
 mm ±.1 ±.02 ±.005 ±.0005
 mm ±0.5 ±0.13 ±0.013
 ANG. ±.50 DEG
 REMOVE BURRS & BREAK SHARP EDGES:
 INCH .003-.015 mm 0.1-0.4
 CORNER FILLETS TO:
 INCH .020 mm 0.5
 MACHINE SURFACES:
 INCH 125 mm 3.2
 METRIC DIMS. SHOWN IN [BRACKETS]

DR BY: BLS 04/21/03
 APPD: DRF 04/21/03
 THIRD ANGLE PROJECTION
 EDS DATE 02-22-2008
 FORMAT REV F
 CONFIDENTIAL: THIS DRAWING AND ITS INFORMATION ARE THE EXCLUSIVE AND CONFIDENTIAL PROPERTY OF A.O. SMITH CORP. AND ARE NOT TO BE DISCLOSED, DUPLICATED, DISTRIBUTED OR OTHERWISE USED WITHOUT THE WRITTEN CONSENT OF A.O. SMITH CORP.
 -ALL RIGHTS RESERVED. ASME Y14.5M 1994

AC Smith **ELECTRICAL PRODUCTS COMPANY**
 Innovation has a name. A DIVISION OF A. O. SMITH CORPORATION

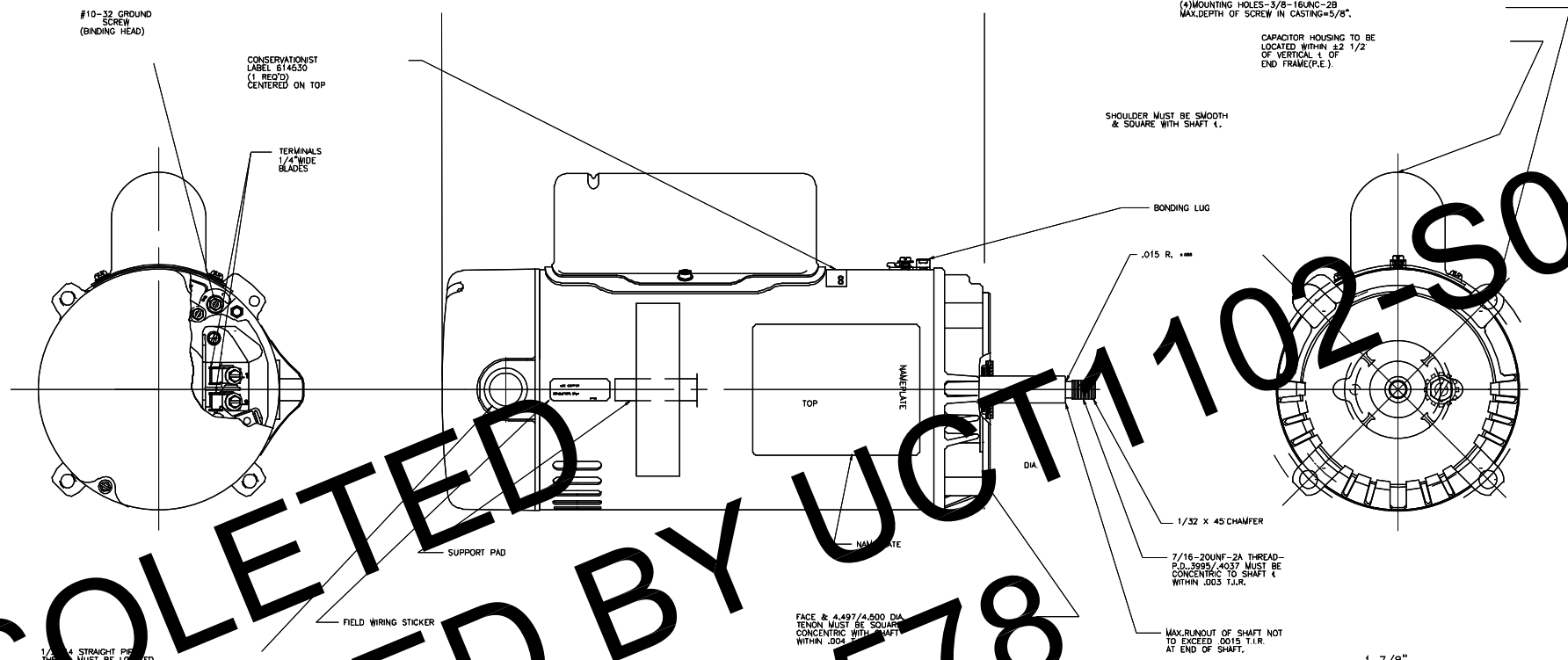
DESCRIPTION: MOTOR OUTLINE

SIZE: C DWG NO: 12409-008

SCALE: NONE SHEET: 1

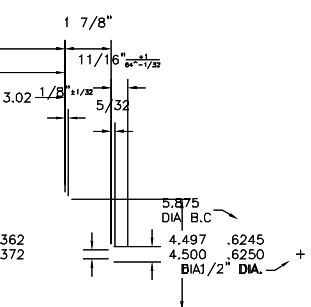
REVISION:	ECO	REVISADO POR:	FECHA:	APROBADO POR:	FECHA:
E	0014578	JZ	11-04-2010	TZ	11-04-2010

12409-008



OBSOLETE
REPLACED BY UCT 1102-S01
PER ECO-0014578

NAMEPLATE DATA	EXTERNAL CONNECTION DIAGRAM	PERFORMANCE CURVE NO.	APPROVED SAMPLE OR REF. MODEL
MODEL: KA 1100A2 CUR: 1100A2 EFF: 1.0 TYPE: CCWPE R: 3450 CODE: 56J NAME: 56J VOLTS: 115/230 AMPS: MAX AMPS: 11.0/23.0 PH: 1 INS: B AMB: 50 THERMALLY PROTECT.	 HIGH VOLTAGE SHOWN. EVENT. DIA. COB TO 115 FOR LOW VOLTAGE. USE COPPER CONDUCTORS ONLY. INSULATED MOTOR WITH XDRS. SCHEM. ACCEPTABLE FOR FIELD WIRING.	5 3/64" K4BK2W2	
NOTES: (1) FINISH PAINT TO BE SATIN BLACK. (2) 7/16" WRENCH FLATS ON SHAFT FOR ACCESS TO THIS WRENCH FLAT REMOVE END COVER. (3) STAINLESS STEEL SHAFT EXT.	(4) LIMITS ON AMPLITUDE OF VIBRATION MEASURED AT BEARING HOUSING=.001. (5) CONNECTED FOR HIGH VOLTAGE. QUICK VOLTAGE CHANGE PLUG INCLUDED ON THE TERMINAL BOARD.	FILE # E25022	UL COMPONENT 5 5/8" CON # XEMR2
		ENCLOSURE: ODP	



CARACTERISTICAS DE GEOMETRIA Y SIMBOLOS □ PLANICIDAD — RECTITUD < ANGULARIDAD ⊥ PERPENDICULARIDAD (A ESCUADRA) // PARALELISMO ○ REDONDEZ (CIRCULARIDAD) ∅ CILINDRICIDAD △ PERFIL DE CUALQUIER SUPERFICIE ∩ PERFIL DE CUALQUIER LINEA / VARIACION ⊕ POSICION REAL ⊙ CONCENTRICIDAD = SIMETRIA

DIBUJADO POR: BLS	04/21/03
APROBADO POR: DRF	04/21/03
TERCER ANGULO DE PROYECCION	FECHA EDS: 02-22-2008 REV. FORMATO: F
CONFIDENCIAL: ESTE DIBUJO Y SU INFORMACION SON PROPIEDAD DE USO EXCLUSIVO Y CONFIDENCIAL DE A.O.SMITH CORP. Y NO DEBERAN SER REVELADOS, DUPLICADOS, DISTRIBUIDOS O USARSE DE OTRA MANERA SIN EL CONSENTIMIENTO ESCRITO DE A.O. SMITH CORP. -TODOS LOS DERECHOS RESERVADOS. ASME Y14.5M 1994	

ELECTRICAL PRODUCTS COMPANY Innovation has a name. A DIVISION OF A. O. SMITH CORPORATION	
DESCRIPCION: MOTOR OUTLINE	
TAMAÑO: C	NUMERO DE DIBUJO: 12409-008
ESCALA: NONE	HOJA: 1

4

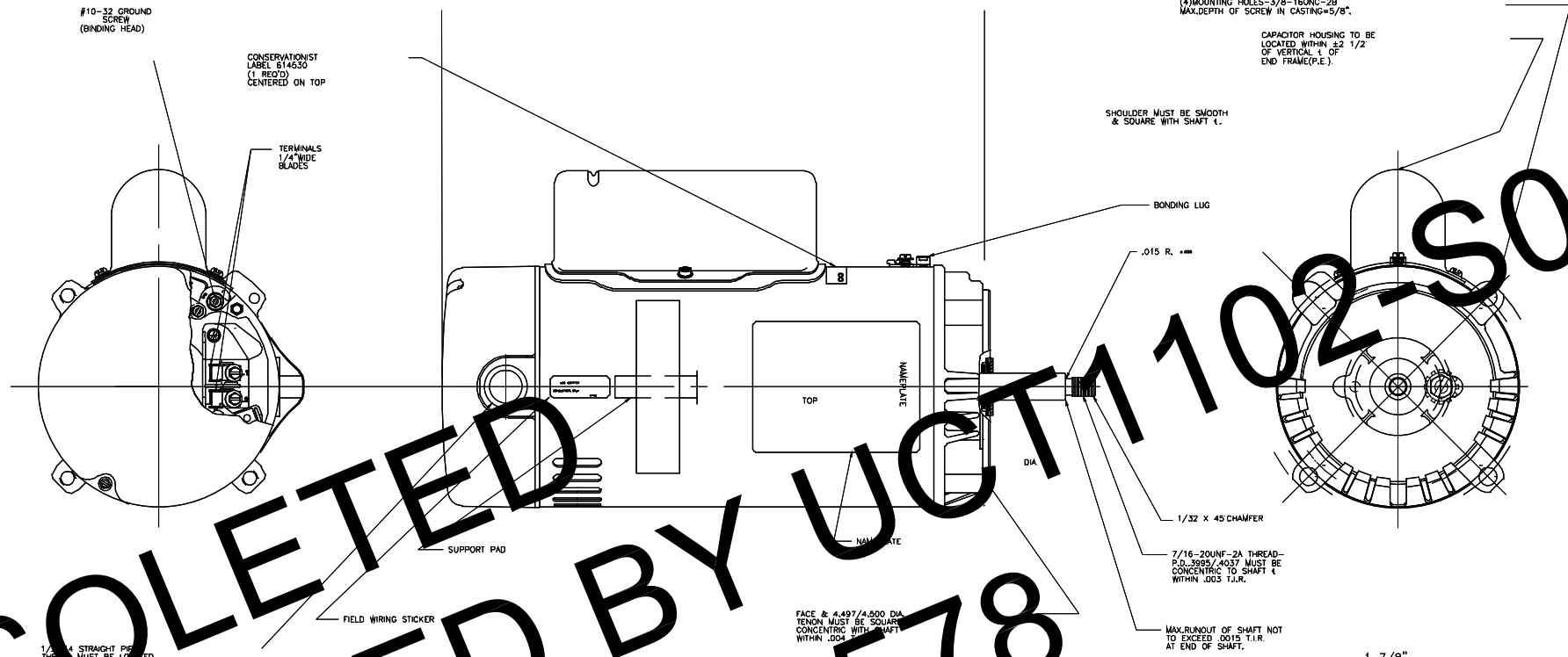
3

2

1

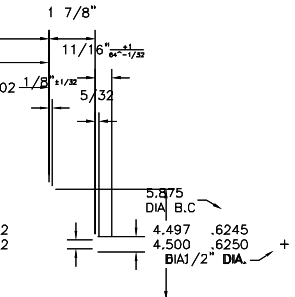
版本	ECO	编制	日期	批准	日期
E	0014578	JZ	11-04-2010	TZ	11-04-2010

12409-008



OBSOLETE
REPLACED BY UCT1102-S01
PER ECO-0014578

NAMEPLATE DATA		EXTERNAL CONNECTION DIAGRAM		PERFORMANCE CURVE NO.		APPROVED SAMPLE OR REF. MODEL	
MODEL: KA-1100A2 CUR: 1.0 TYPE: CCWPE R: 3450 CODE: 56J VOLTS: 115/230 AMPS: MAX AMPS: 11.0/2.5 PH: 1 DIS: 8 AMB: 50 THERMALLY PROTECT				5 3/64" K4BK2W2		5 5/8" CSA	
NOTES: (1) FINISH PAINT TO BE SATIN BLACK. (2) 7/16" WRENCH FLATS ON SHAFT FOR ACCESS TO THIS WRENCH FLAT REMOVE END COVER. (3) STAINLESS STEEL SHAFT EXT.		(4) LIMITS ON AMPLITUDE OF VIBRATION MEASURED AT BEARING HOUSING=.001. (5) CONNECTED FOR HIGH VOLTAGE. QUICK VOLTAGE CHANGE FLUG INCLUDED ON THE TERMINAL BOARD.		FILE # E25022 CON # XEWR2		DIA. FILE # LR43341 CLASS 4211-01	
A 01/02/04 B 02/18/04 08/20/04		DR 04/04/06 DR 04/04/07		ENCLOSURE: ODP			



形位公差	□ 平面度
	— 直线度
	∠ 倾斜度
	⊥ 垂直度
	// 平行度
	○ 圆度
	⊘ 圆柱度
	⊙ 面轮廓度
	⊖ 线轮廓度
	⤴ 圆跳动
	⊕ 位置度
	⊙ 同轴度
	≡ 对称度

绘图:	BLS	04/21/03
批准:	DRF	04/21/03
第三角投影		图纸格式发布日期 02-22-2008 图纸格式版本 F
机密: 本图纸及相关信息所有权归A. O. SMITH公司所有。未经A. O. SMITH公司书面授权, 不得泄露、复制、传播或作其他用途。—版权所有		
ASME Y14.5M 1994		

ELECTRICAL PRODUCTS COMPANY A DIVISION OF A. O. SMITH CORPORATION	
名称	MOTOR OUTLINE
图幅	C
图号	12409-008
比例	NONE
页号	1

4

3

2

1