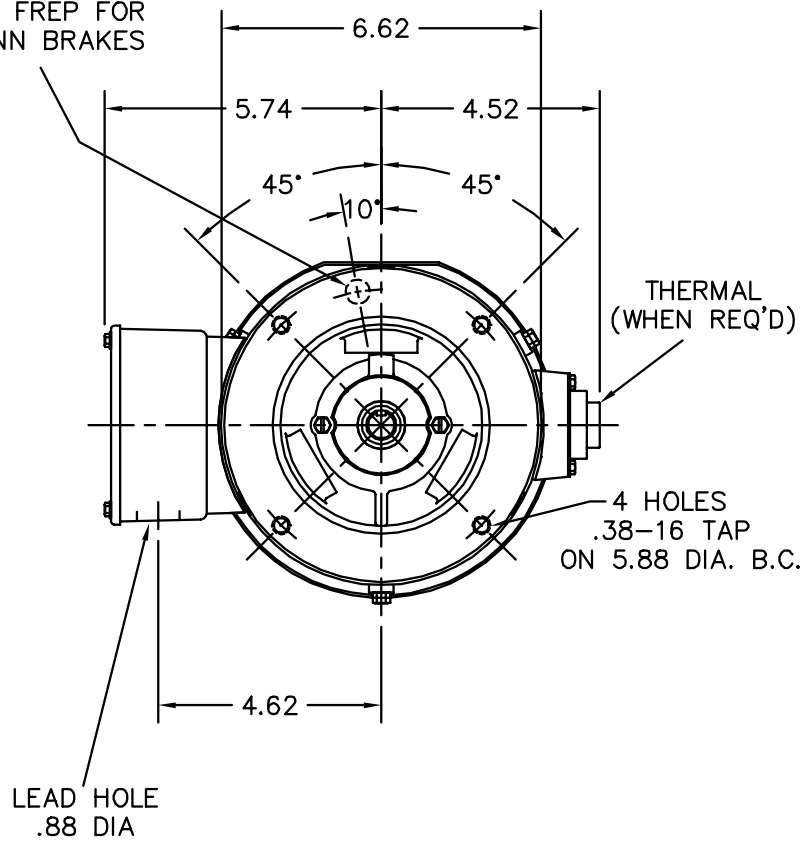


BRAKE LEAD HOLE
LOC IN FREP FOR
INT CONN BRAKES



CUSTOMER IS RESPONSIBLE FOR DETERMINING THAT BALDOR'S PRODUCT WILL PERFORM SUITABLY IN THE INTENDED APPLICATION.

REV. DESC: UPDATE DRWG PARTS		
REV. LTR: M	VERSION: 02	TDR: 00000731635
FILE: \AAA\00006\568	REVISED: 01:33:49 02/03/2012	
MTL: -	BY: ENMICW1	

BALDOR

STD VERT 56C TEFC 35M W/BRAKE

SH 1 of 1

35LYE058