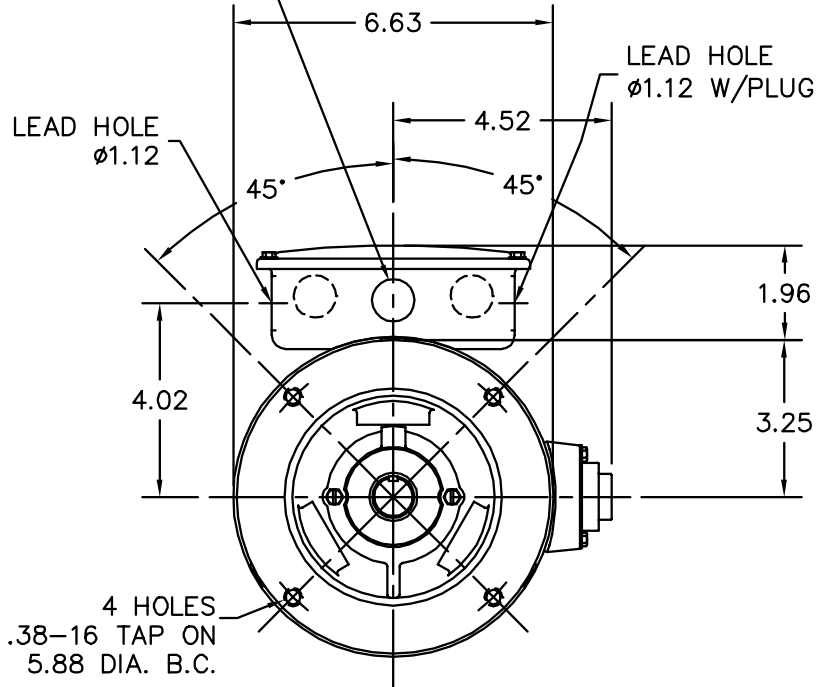
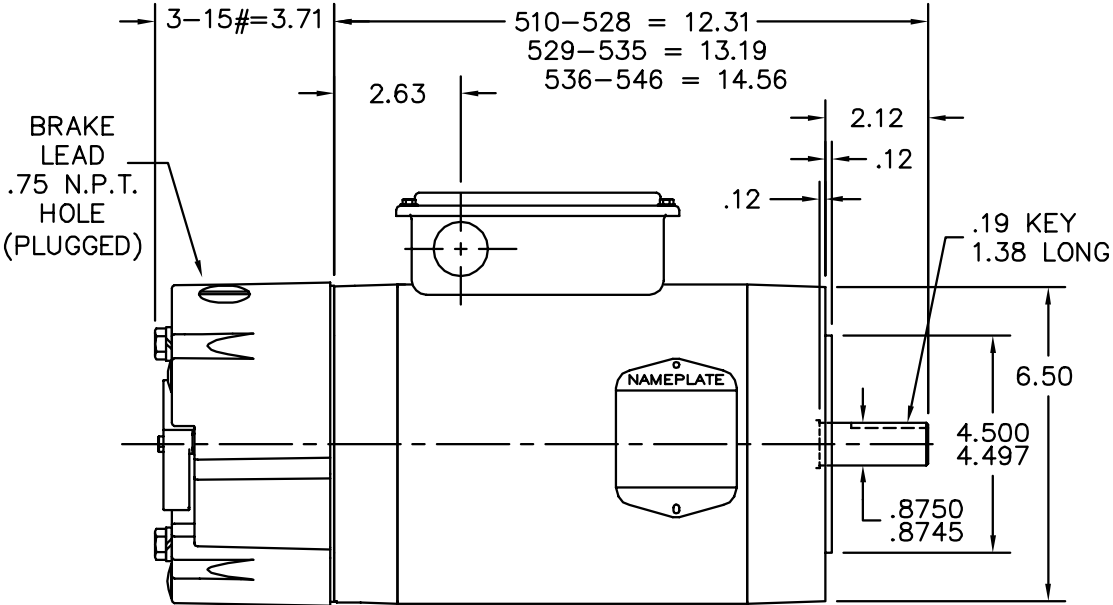


1 X Ø.88 KNOCKOUT (PU. END)
2 X Ø.88 KNOCKOUTS (FR. END)



CUSTOMER IS RESPONSIBLE FOR DETERMINING THAT BALDOR'S PRODUCT WILL PERFORM SUITABLY IN THE INTENDED APPLICATION.

REV. DESC: 46BR1004 WAS 41BR0001		
REV. LTR: B	VERSION: 02	TDR: 000000513023
FILE: \AAA\00153\544	REVISED: 01: 34: 23 09/25/2009	
MTL: -	BY: ENBRYPO	

BALDOR • DODGE • RELIANCE

VERT 143-5TC TENV M F3 W/DODGE 'D' SERIES BRAKE W/35CB4007