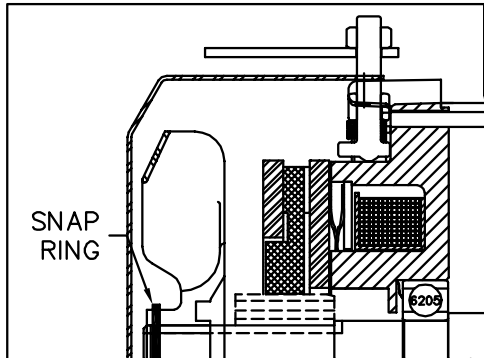
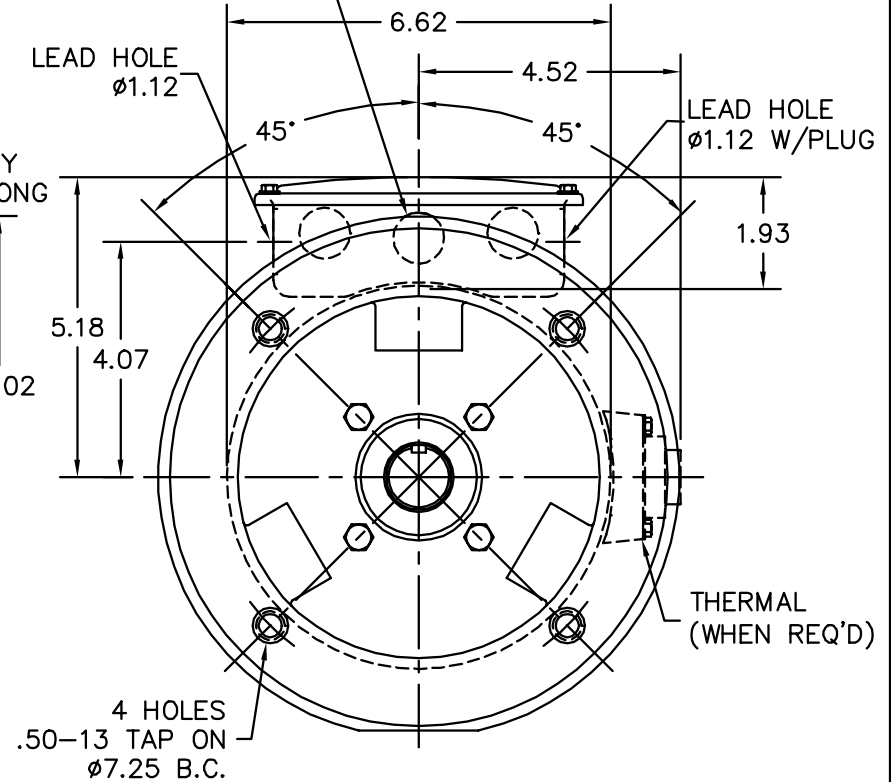
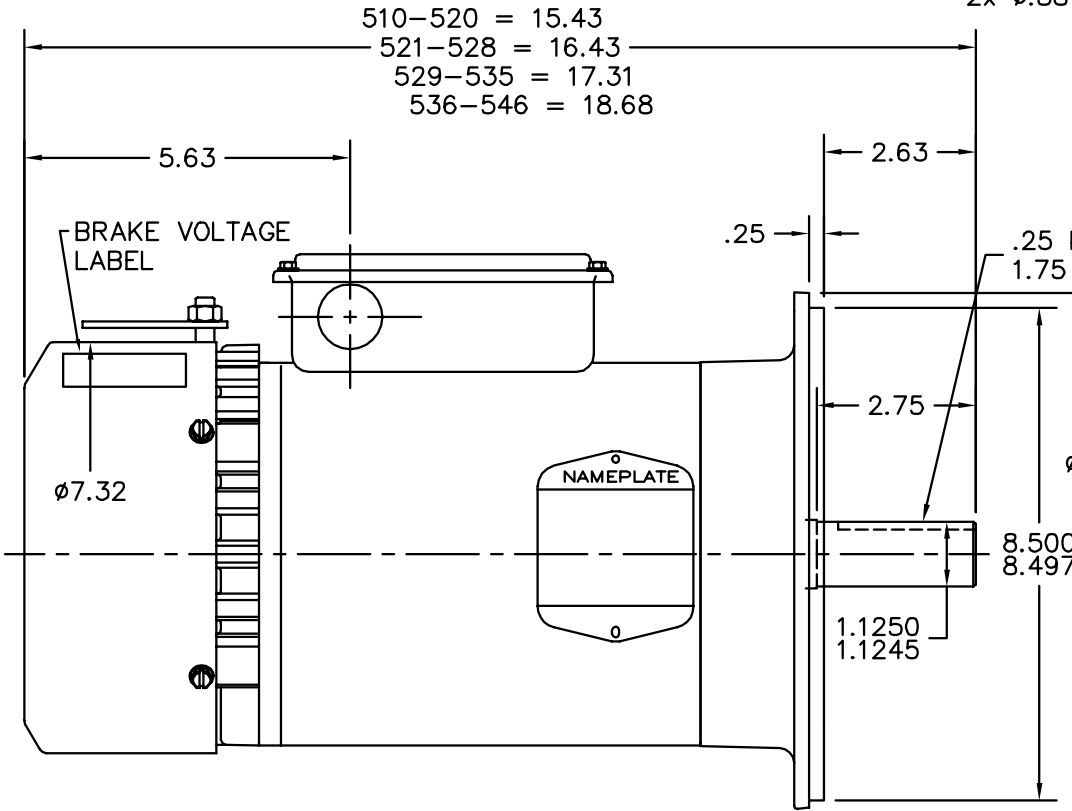


1x ϕ .88 KNOCKOUT (PU. END)
 2x ϕ .88 KNOCKOUTS (FR. END)



FRONT DETAIL VIEW

CUSTOMER IS RESPONSIBLE FOR DETERMINING THAT MOTOR PERFORMANCE IS SUITABLE IN THE APPLICATION.

REV. DESC: NEW		
REV. LTR: -	VERSION: 00	TDR: 000000449489
670X1795	FILE: \AAA\00152\916	REVISED: 10:09:24 12/06/2007
	MTL: -	BY: ENODIDO

BALDOR • DODGE • RELIANCE

VER 182-4TC TEFC 35M F3 W/DODGE SSB BRAKE & 35CB4007