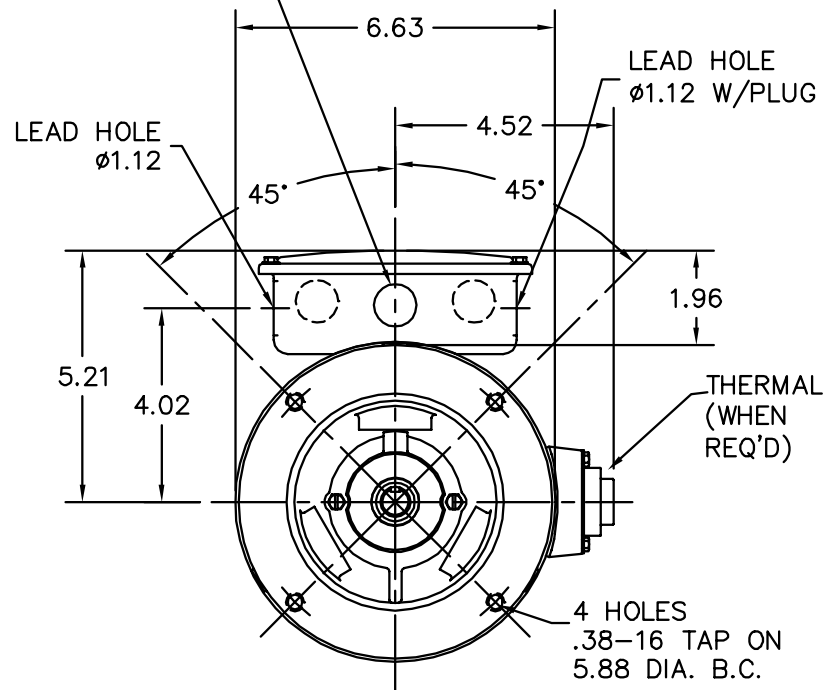
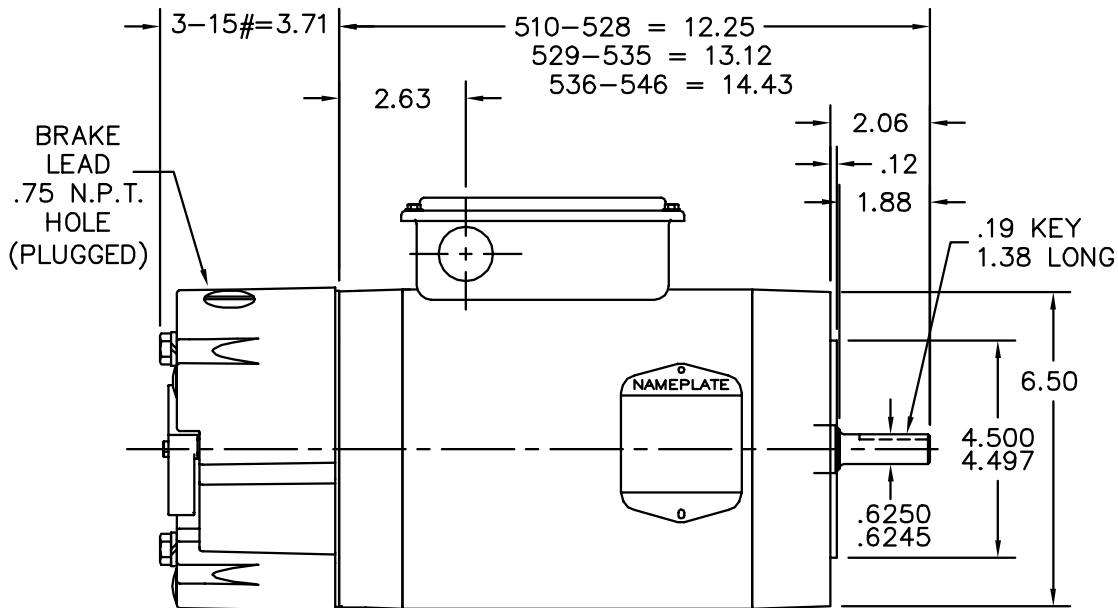


1 X Ø.88 KNOCKOUT (PU. END)
 2 X Ø.88 KNOCKOUTS (FR. END)



CUSTOMER IS RESPONSIBLE FOR DETERMINING THAT BALDOR'S PRODUCT WILL PERFORM SUITABLY IN THE INTENDED APPLICATION.

REV. DESC: 46BR1004 WAS 41BR0001		TDR: 000000513023	
REV. LTR: B	VERSION: 02		
FILE: \AAA\00152\724		REVISED: 11:03:57 09/25/2009	
MTL: -		BY: ENBRYPO	

BALDOR • DODGE • RELIANCE

VERT 56C TENV M F3 W/DODGE 'D' SERIES BRAKE W/35CB4007