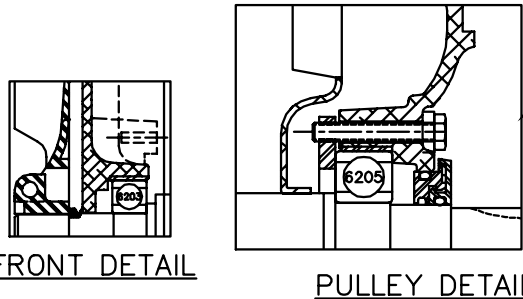
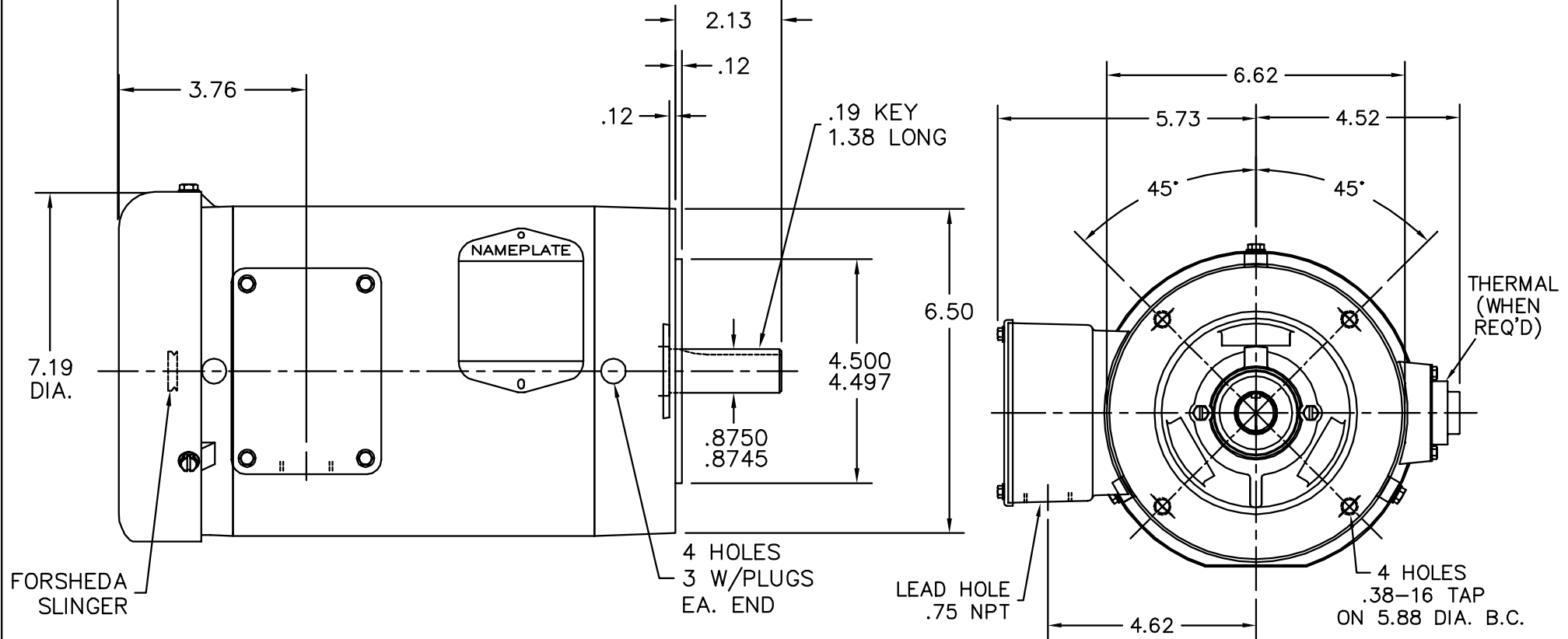


510-520 = 12.31  
 521-528 = 13.31  
 529-535 = 14.19  
 536-546 = 15.56



CUSTOMER IS RESPONSIBLE FOR DETERMINING THAT BALDOR'S PRODUCT WILL PERFORM SUITABLY IN THE INTENDED APPLICATION.

REV. DESC: CHG ODE SLINGER TO FORSHEDA		
REV. LTR: A	VERSION: 01	TDR: 00000801533
FILE: \AAA\00194\623	REVISED: 03:38:56 05/28/2013	
MTL: -	BY: ENADAFO	

**BALDOR**

VERT 143-5TC TEFC 35M WD2 W/LEAD HOLE .75 NPT

SH 1 of 1