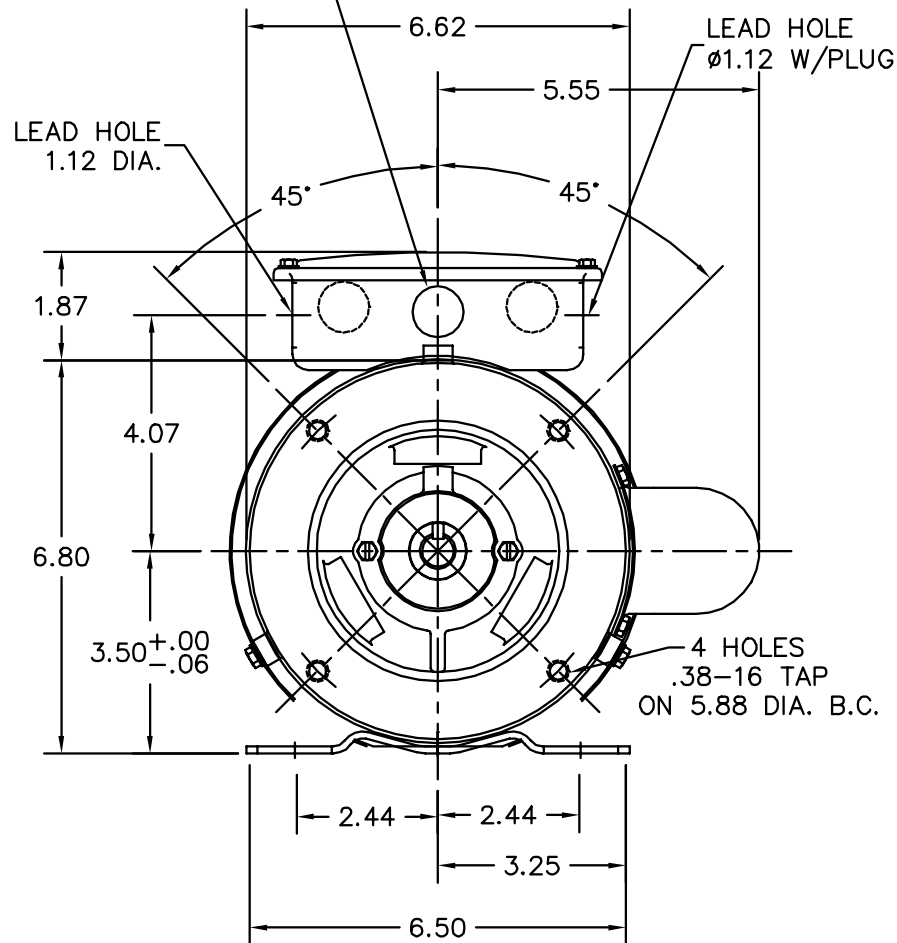
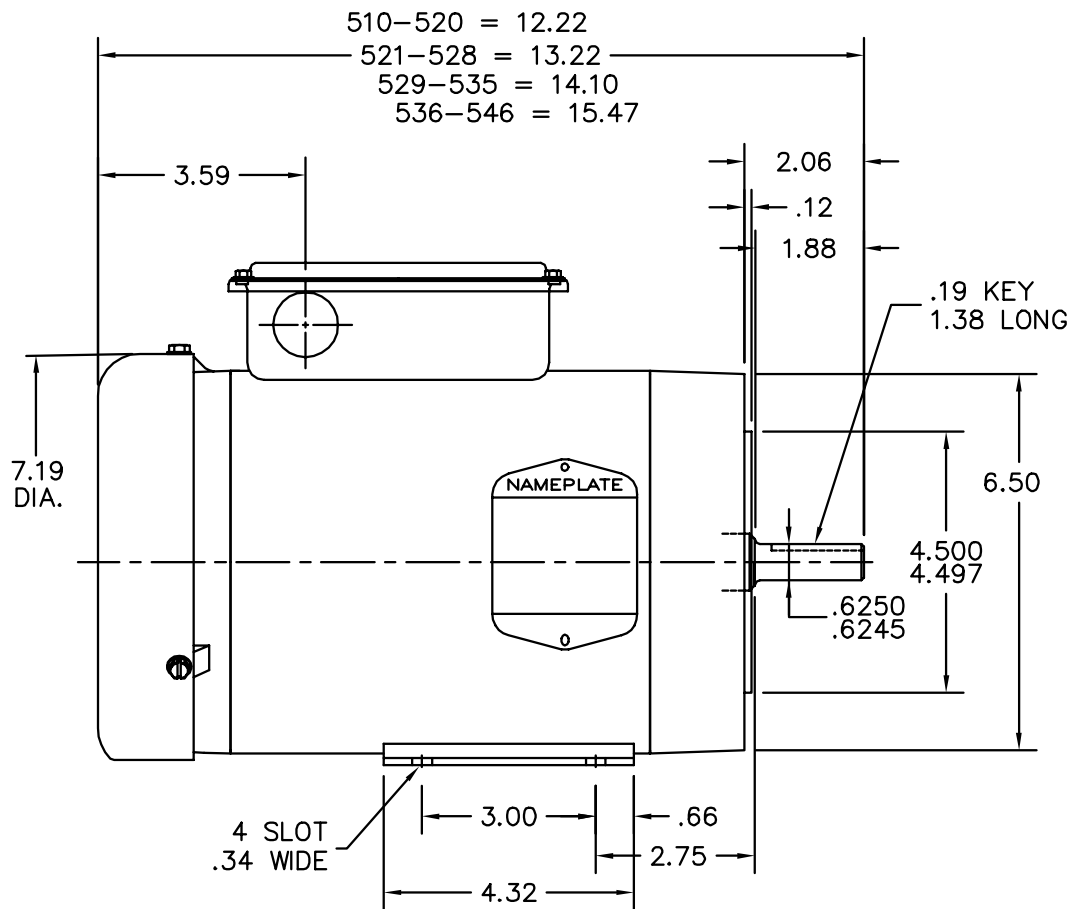


1 X Ø.88 KNOCKOUT (PU. END)  
 2 X Ø.88 KNOCKOUTS (FR. END)



CUSTOMER IS RESPONSIBLE FOR DETERMINING THAT BALDOR'S PRODUCT WILL PERFORM SUITABLY IN THE INTENDED APPLICATION.

REV. DESC: UPDATE GRAPHICS FOR BASE		
REV. LTR: A	VERSION: 01	TDR: 000001005740
FILE: \AAA\00152\745	REVISED: 11: 43: 40 11/21/2016	BY: USTRAY1
MTL: -	⊙ □	

**BALDOR**

HOR 56C TEFC 35L F3 CAP @3, W/35CB4007 @ 12

SH 1 of 1