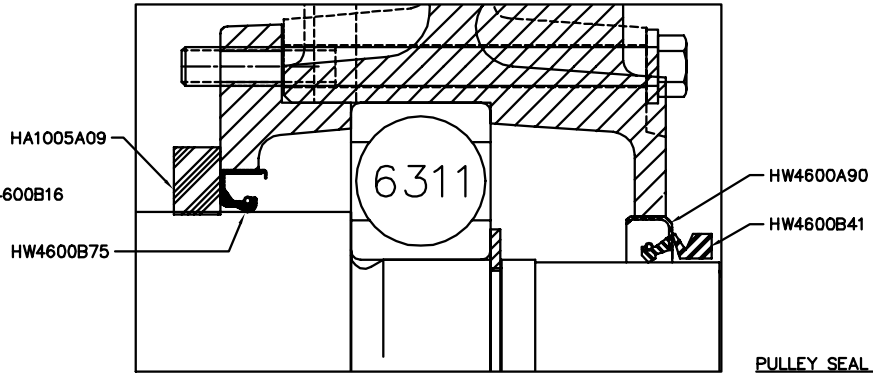


FRONT SEAL DETAIL



PULLEY SEAL DETAIL

CUSTOMER IS RESPONSIBLE FOR DETERMINING THAT BALDOR'S PRODUCT WILL PERFORM SUITABLY IN THE INTENDED APPLICATION.

REV. DESC: STANDARDIZE DIMENSIONS FOR CATALOG P-BASE MOTORS		
REV. LTR: B	VERSION: 01	TDR: 000000497013
FILE: \AAA\00092\385	REVISED: 09:55:38 04/15/2009	BY: ENDANDO
MTL: -		

BALDOR • DODGE • RELIANCE

VERT TEFC 284-6HP CP W/6311 BRG

SH 1 of 1