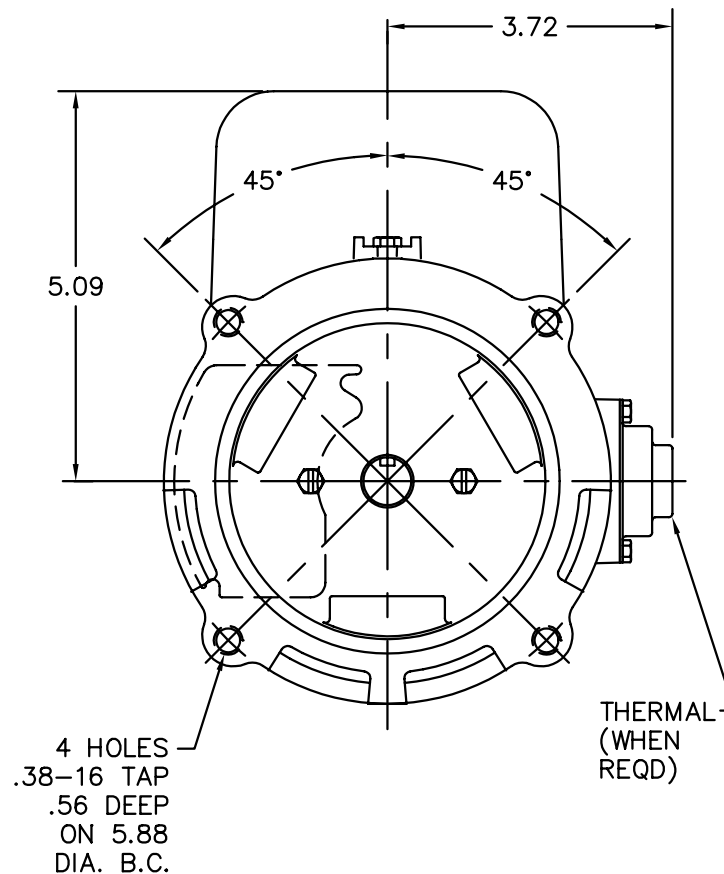
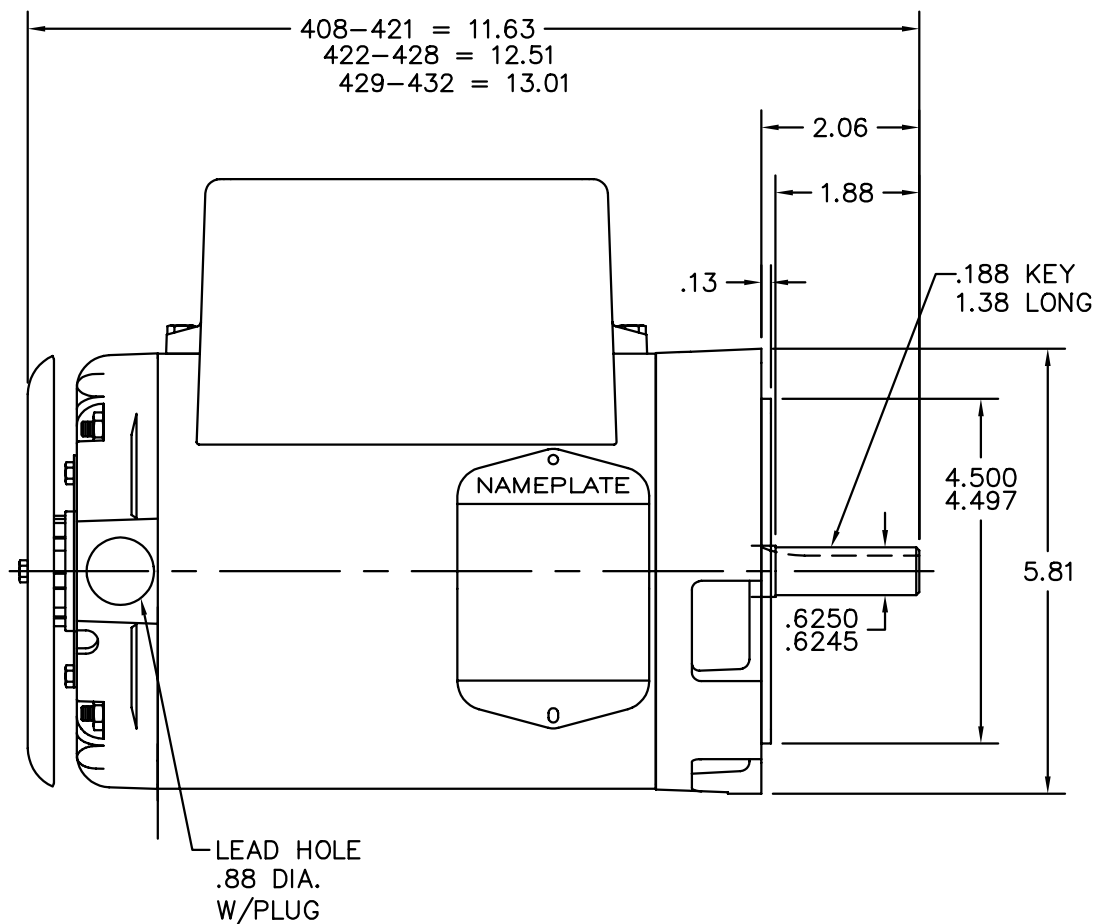


34LYH551



CUST. NAME		CUST. P.O.		CERTIFIED BY		MODEL		INSUL		AMB							
H.P.		MTG		TYPE		R.P.M.		VOLTS		ENCL							
PHASE		FREQ		FRAME		<h1>BALDOR ELECTRIC Co.</h1> <p>STD 34LC NEMA 56C OPEN W/TERM PANEL & DRIP COVER</p>											
REV. LTR: - BY: BF REVISED: 01/05/99 10:50 TDR: 0170357																	
FILE: AAA00061333 MDL: - MTL: -																	
34LYH551																	

34LYH551