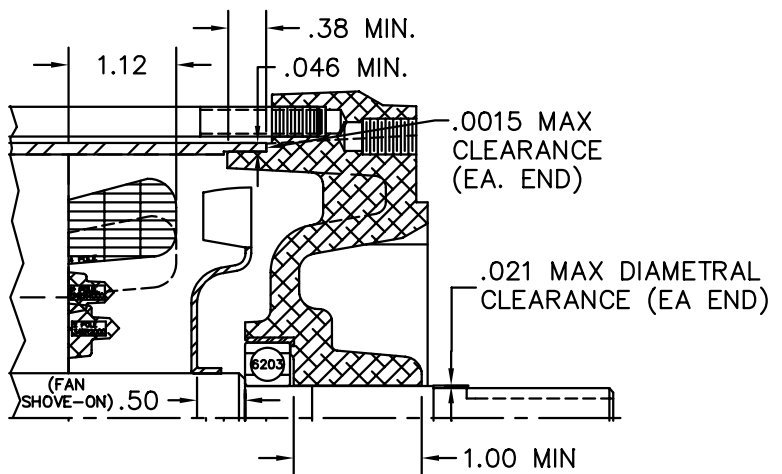
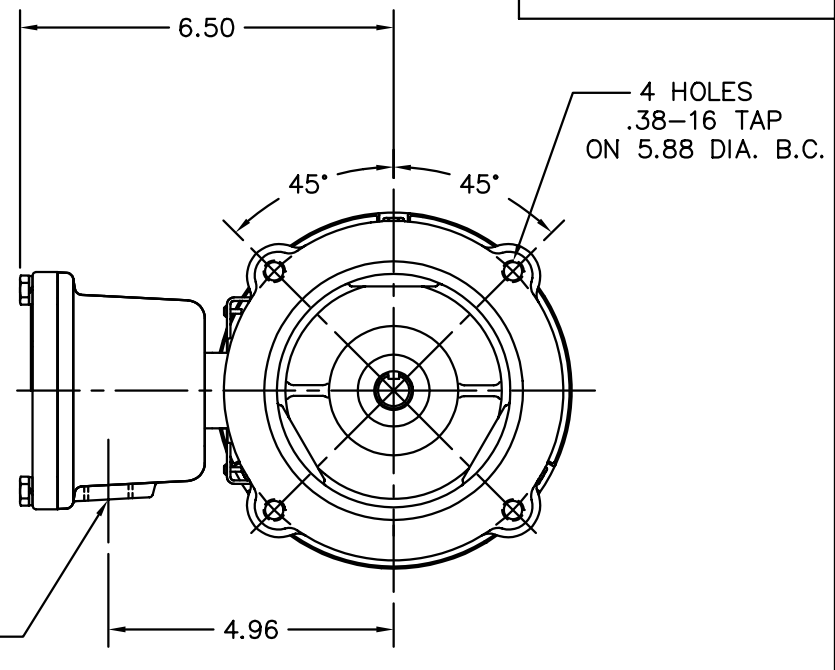
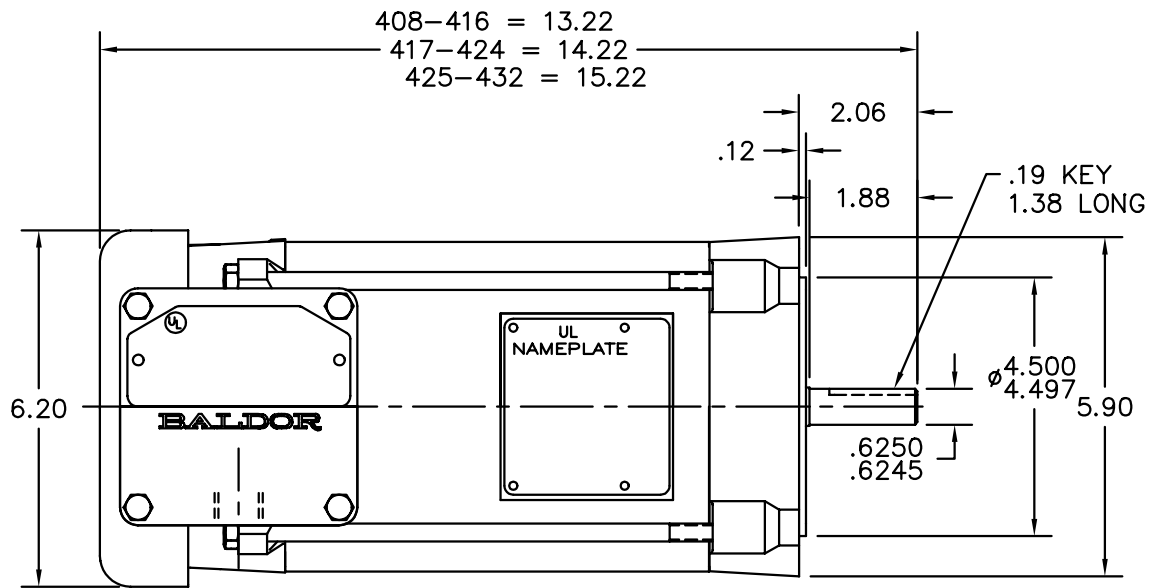


34-5337



CUST. NAME	CUST. P.O.	CERTIFIED BY	MODEL	INSUL	AMB
H.P.	MTG	TYPE	R.P.M.	VOLTS	ENCL PHASE FREQ FRAME

REMARKS:
 REV: A MOVED TO ACAD

BALDOR ELECTRIC Co.

REF: 34-5320	BY: BF	REVISED: 02/24/98
FILE: AAA00052421	TDR: 0145089	

VERT X34L NEMA 56C XPFC, UL CLASS I GR D, CLASS II GR F & G

34-5337