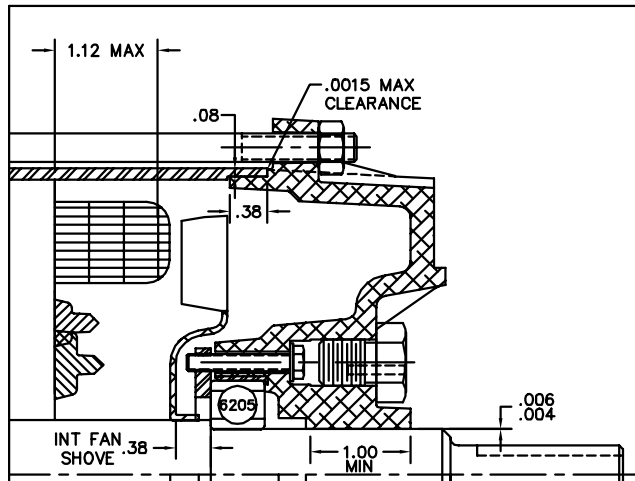
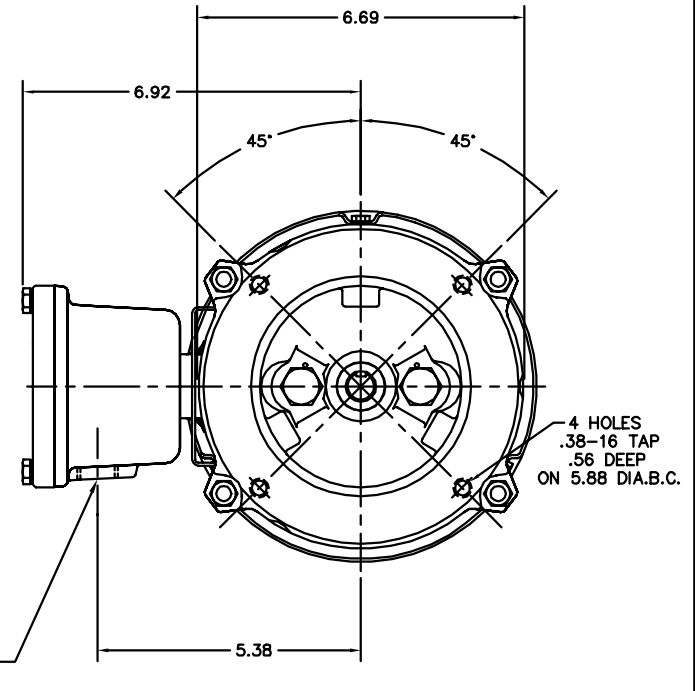
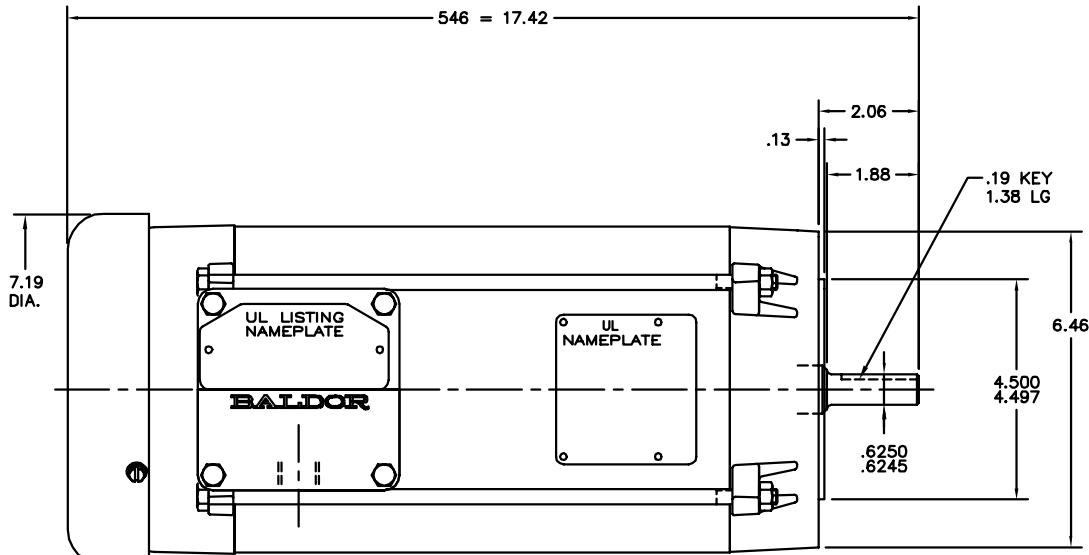


35LYG198



UL CLASS I - GROUP D

CUSTOMER IS RESPONSIBLE FOR DETERMINING THAT MOTOR PERFORMANCE IS SUITABLE IN THE APPLICATION.

REV. DESC: REVISE TO SHOW DETAILED INTERNAL VIEW		
REV. LTR: J	VERSION: 01	TDR: 000000386443
FILE: \AAA\00005\600	REVISED: 10:06:18 03/08/2006	BY: ENCHRCO
MTL: -		

BALDOR ELECTRIC Co.

VERT 56C XPFC 3548L CL I-GP D

35LYG198