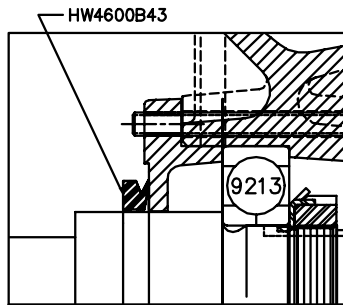


FR. END DETAIL



PU. END DETAIL

CUSTOMER IS RESPONSIBLE FOR DETERMINING THAT BALDOR'S PRODUCT WILL PERFORM SUITABLY IN THE INTENDED APPLICATION.

REV. DESC: ADDED FR. & PU. SLINGER DETAILS		
REV. LTR: C	VERSION: 03	TDR: 00000702847
FILE: \AAA\00099\409	REVISED: 08:28:17 10/18/2011	BY: ENSHABO
MTL: -		

BALDOR

STD VERT TEFC 284-6LP CP

SH 1 of 1