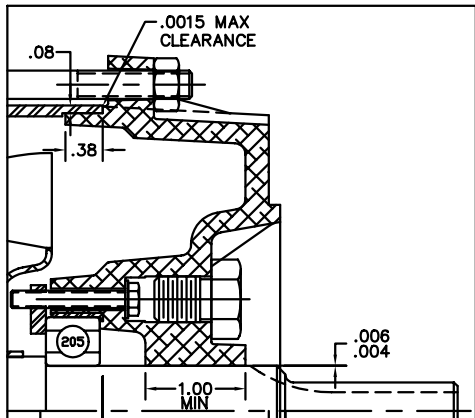
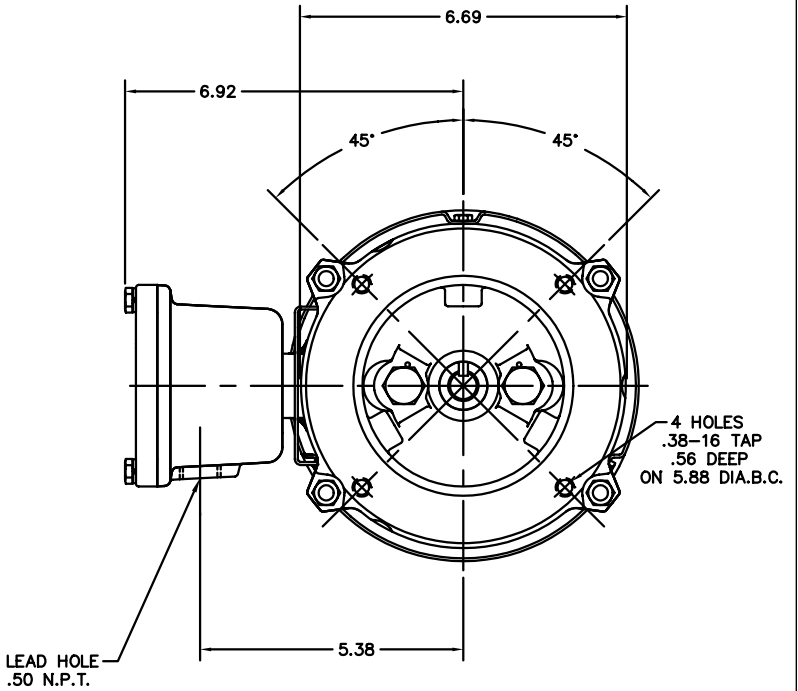
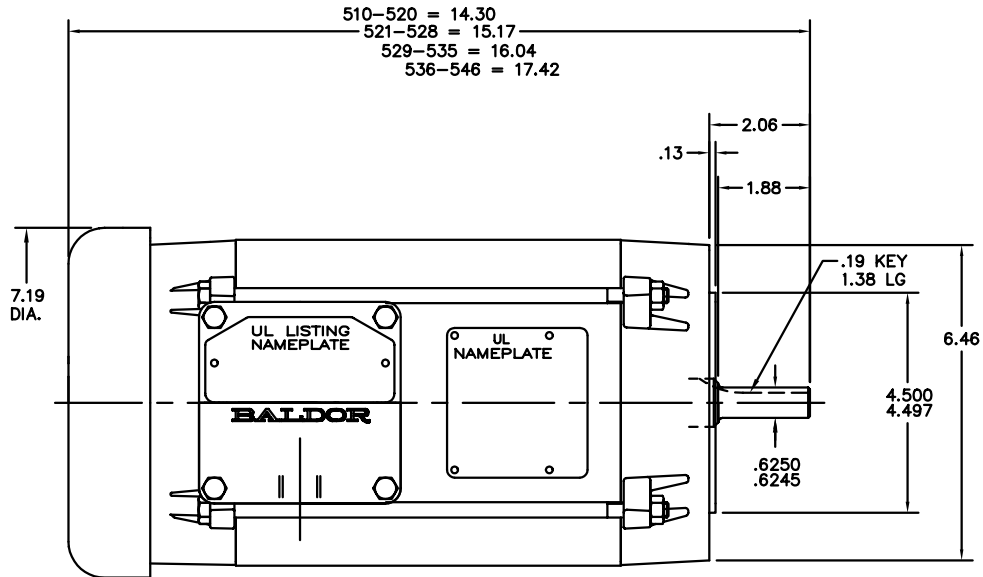


35E374



UL CLASS I - GROUP D & CLASS II - GROUPS F & G

CUST. NAME					CUST. P.O.		REMARKS:		
MODEL	INSUL	AMB	H.P.	MTG	REV: G CHG'D HRZ TO VERT IN DESCRIPTION (SEE EC09)				
R.P.M.	VOLTS	ENCL	PHASE	FREQ	SCALE: .4	BY: JED	REVISED: 10/08/97		
FRAME	TYPE	CERTIFIED BY		FILE: AAA00005386			TDR: 0133410		

BALDOR ELECTRIC Co.

VERT 56C XPFC 35M CL I-GP D-CL II-GP F&G

35E374