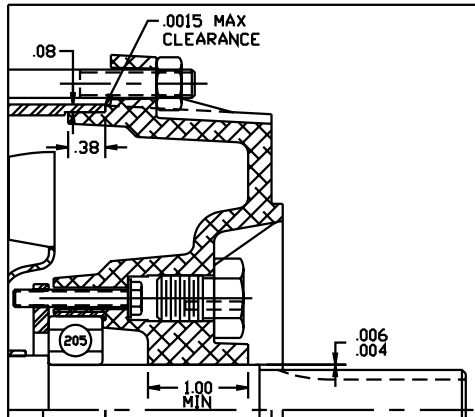
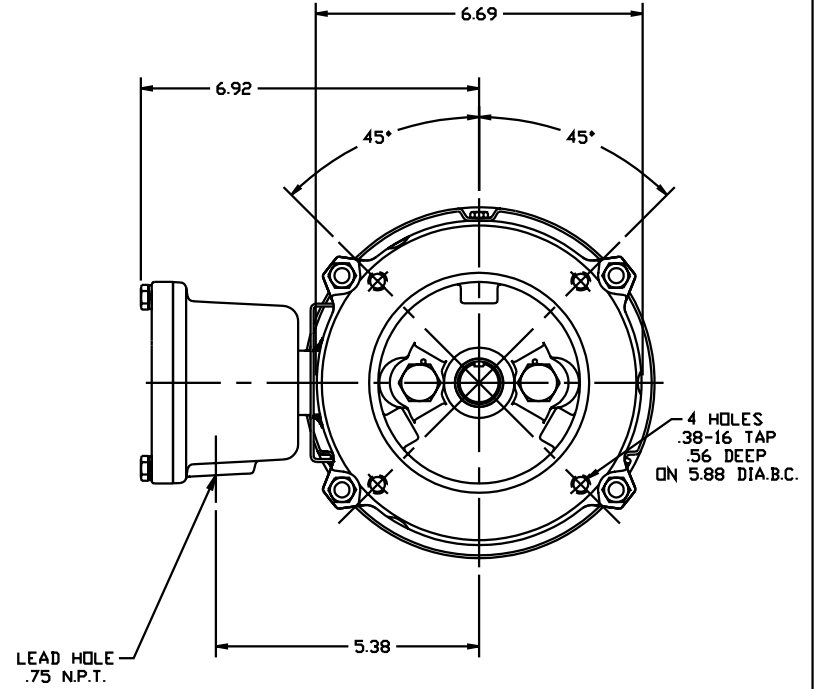
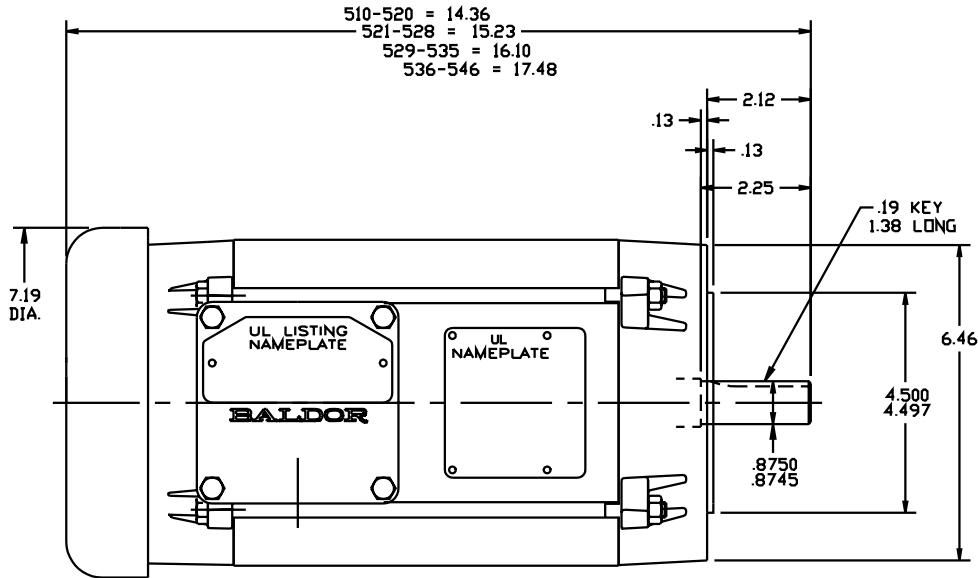


35J444



UL CLASS I - GROUP D

CUST. NAME		CUST. P.O.			REMARKS:		
MODEL	INSUL	AMB	H.P.	MTG	REV: C	REDRAWN TO AUTOCAD	
R.P.M.	VOLTS	ENCL	PHASE	FREQ	SCALE: .4	BY: SSS	REVISED: 09/14/94
FRAME	TYPE	CERTIFIED BY			FILE: AAA00014305	TDR: 0051039	

**BALDOR ELECTRIC Co.**

STANDARD VERT X35M TEFC 143-5TC CL 1 GRP D W/T'STATS

35J444