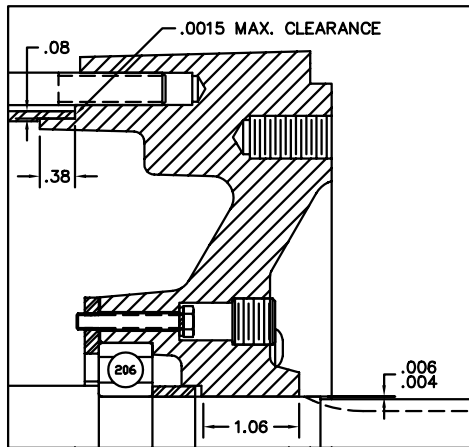


PULLEY END DETAIL



CUST. NAME		CUST. P.O.		CERTIFIED BY		MODEL		INSUL		AMB	
H.P.	MTG	TYPE	R.P.M.	VOLTS	ENCL	PHASE	FREQ	FRAME			
REV. DESC: ADDED TIGHT SLEEVE TO LAYOUT						<b>BALDOR ELECTRIC Co.</b>					
REV. LTR: H	BY: JD	REVISED: 05/19/99 8:34	TDR: 0181570								
FILE: AAA00004736				MDL: -		VERT 182-4TC XPFC 36M (635-640) CL-I GP-D CL-II GP-F&G					
MTL: -											