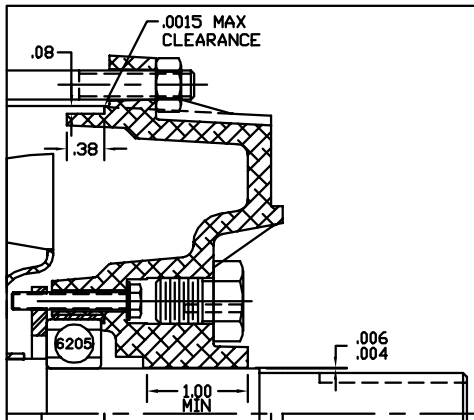
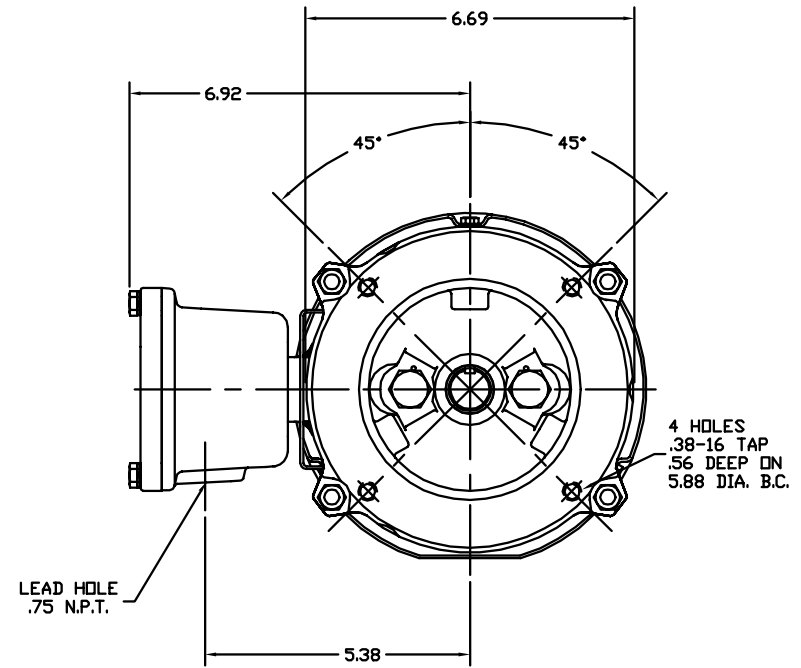
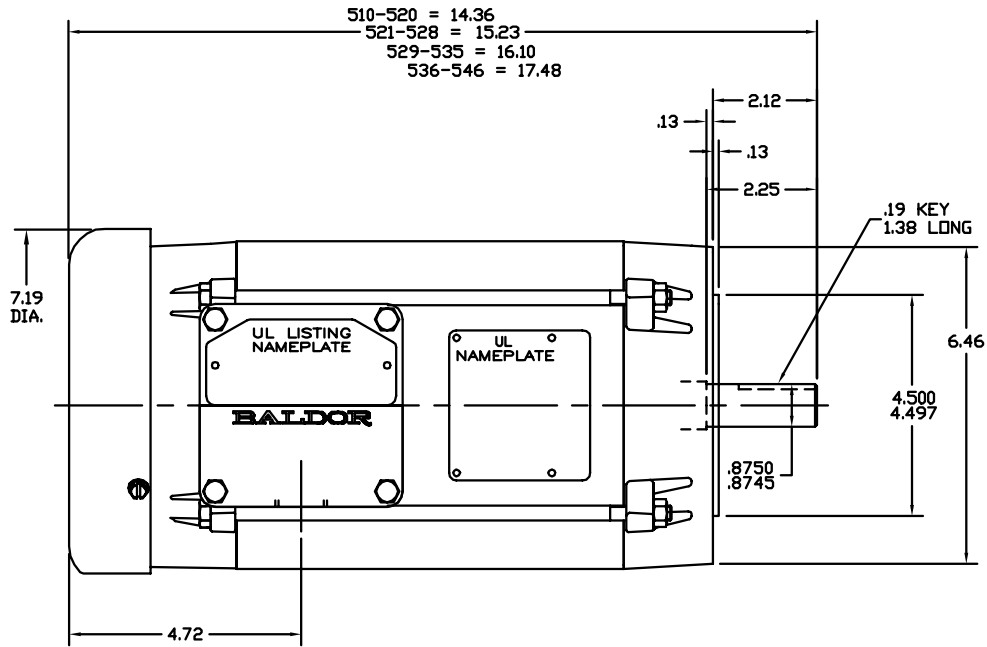


35LYE378



CUSTOMER IS RESPONSIBLE FOR DETERMINING THAT BALDOR'S PRODUCT WILL PERFORM SUITABLY IN THE INTENDED APPLICATION.

REV. DESC: UPDATE DESCRIPTION		
REV. LTR: F	VERSION: 01	TDR: 000000472807
FILE: \AAA\00005\400	REVISED: 09:24:14 08/18/2008	BY: ENBRAMO
MTL: -		

BALDOR • DODGE • RELIANCE

STD VERT 143-5TC XPFC X35M CL-1 GP-D

SH 1 of 1

35LYE378