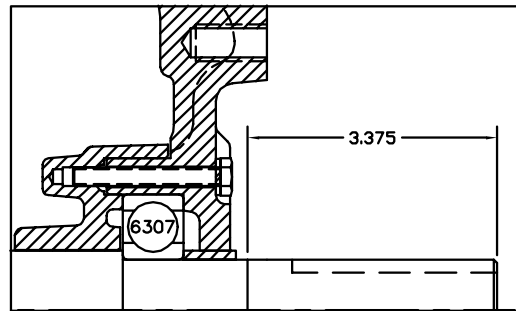


PULLEY END DETAIL



CUSTOMER IS RESPONSIBLE FOR DETERMINING THAT BALDOR'S PRODUCT WILL PERFORM SUITABLY IN THE INTENDED APPLICATION.

REV. DESC: REVISED DESCRIPTION		
REV. LTR: A	VERSION: 01	TDR: 000000493746
FILE: \AAA\00006\009	REVISED: 14: 32: 35 03/16/2009	BY: ENBRAMO
MTL: -		

BALDOR • DODGE • RELIANCE

STD VERT 213-5TC XPFC X307M CL I-GP D, CL II-GP F&G

SH 1 of 1