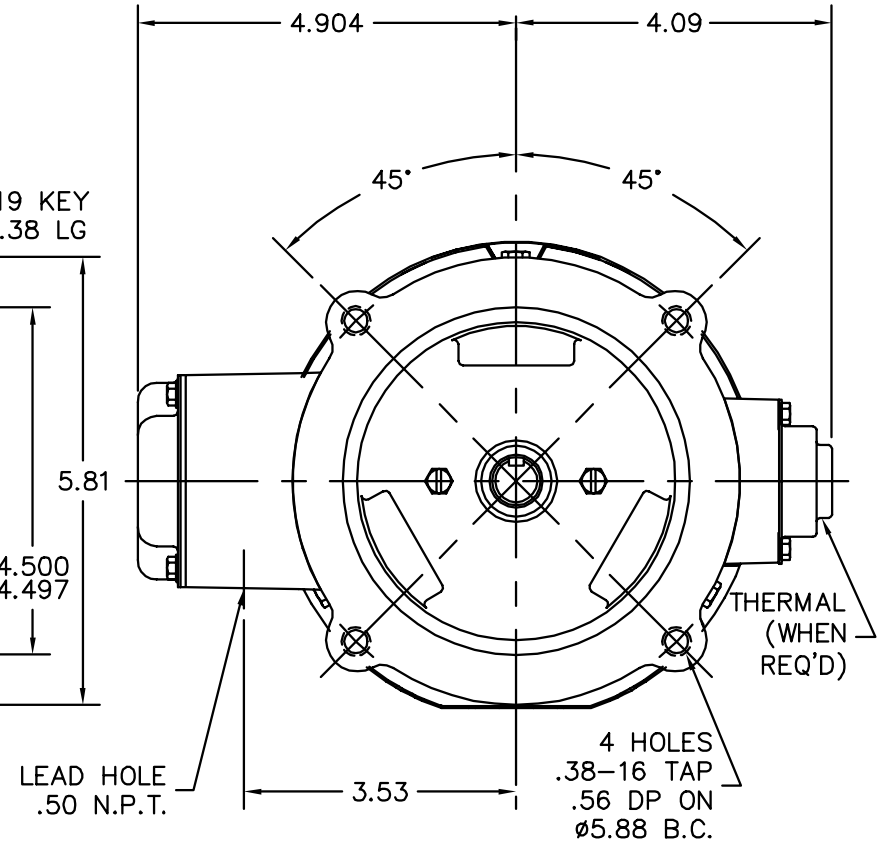
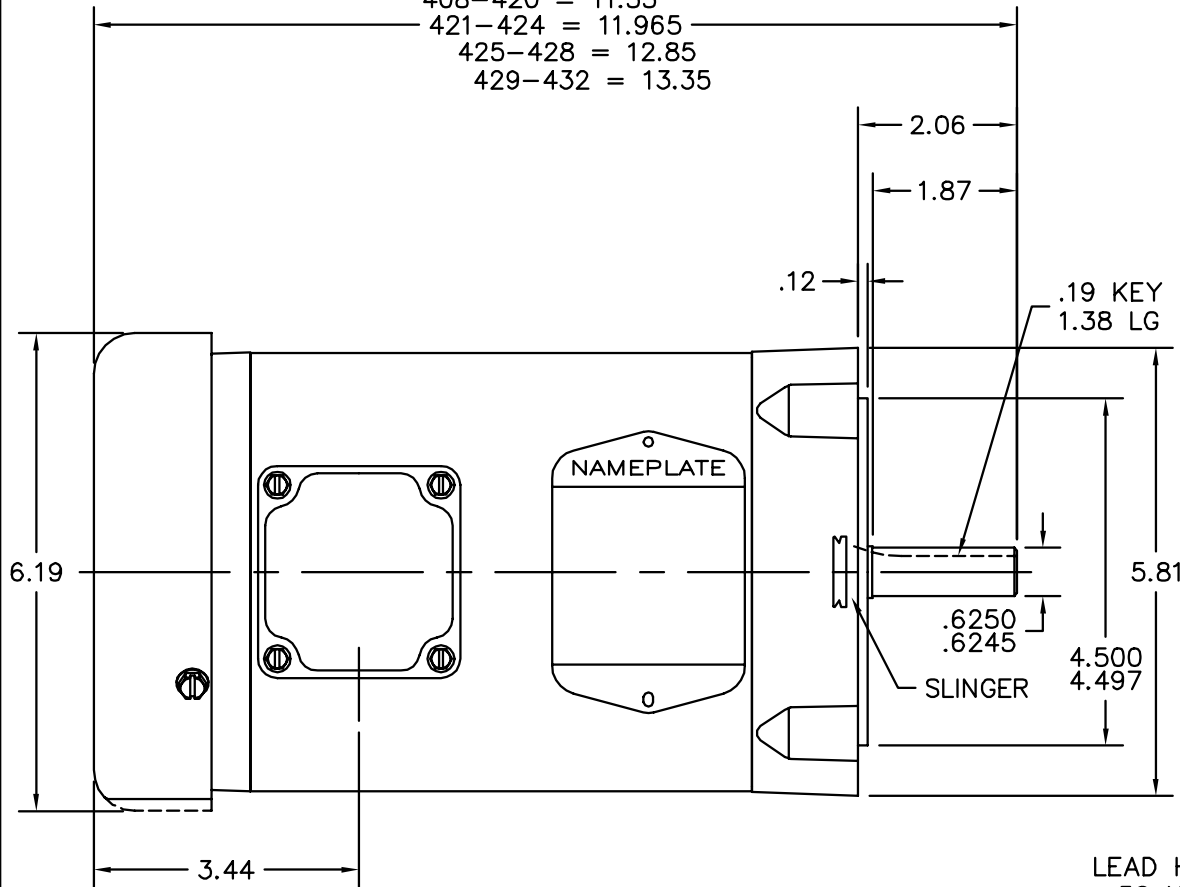


408-420 = 11.35
 421-424 = 11.965
 425-428 = 12.85
 429-432 = 13.35



CUSTOMER IS RESPONSIBLE FOR DETERMINING THAT BALDOR'S PRODUCT WILL PERFORM SUITABLY IN THE INTENDED APPLICATION.

REV. DESC: REV DES "STD VERT- DIRTY DUTY MOTOR"		
REV. LTR: G	VERSION: 03	TDR: 00000783625
FILE: \AAA\00025\917	REVISED: 07:17:35 01/30/2013	
MTL: -	BY: ENTROEO	

BALDOR

STD VERT MODEL 34M NEMA 56C TEFC - DIRTY DUTY MOTOR

SH 1 of 1