

# DUTY MASTER ALTERNATING CURRENT MOTORS

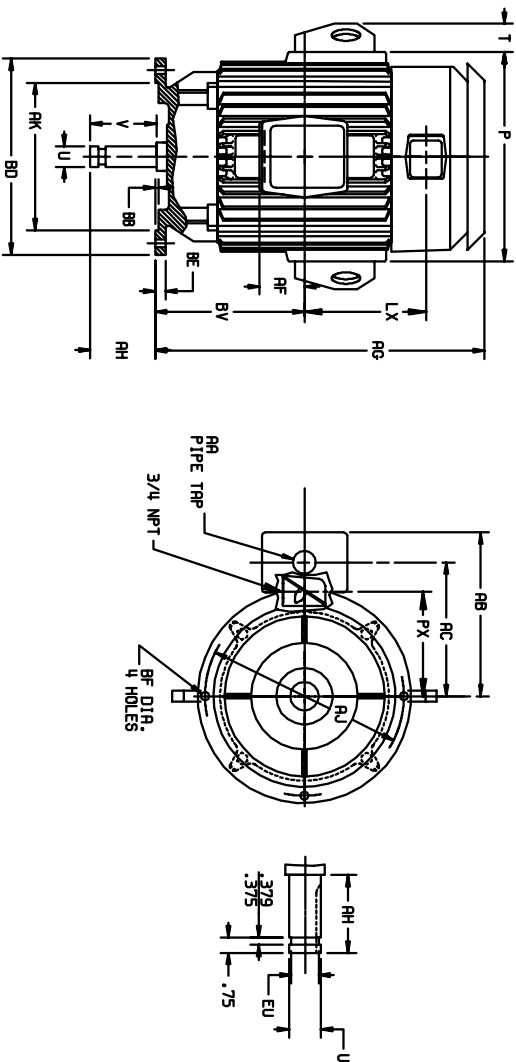
SQUIREL-CAGE INDUCTION  
CAST IRON CONSTRUCTION

ENCLOSURE: TOTALLY ENCLOSED

MOUNTING: NEMA VP API THRUST DESIGN - SOLID SHAFT

COOLING: FAN COOLED

FRAMES 250VP THRU 440VP



DIMENSIONS ARE IN INCHES; SEE SHEET 2 FOR DIMENSIONS IN MILLIMETERS

FRAME	P	T	CAST IRON TERMINAL BOX										(4)	RECOM. BOLT	LX	PX
			AA	AB	AC	AF	BB	BD	BE	BF	AJ	AK				
254VP-258VP	14.00	2.25	1-1/4	10.81	8.81	2.50	.19	10.00	.62	.44	9.12	8.250	3/8 X 1.50	6.31	10.50	
284VP-286VP	15.50	2.25	1-1/2	12.62	10.19	3.00	.19	10.00	.69	.44	9.12	8.250	3/8 X 1.50	6.88	11.00	
324VP-328VP	17.38	2.25	2	15.44	11.69	3.62	.25	16.50	.88	.69	14.75	13.500	5/8 X 2.00	8.00	12.00	
364VP-365VP	20.25	2.25	3	18.00	13.81	4.12	.25	16.50	.88	.69	14.75	13.500	5/8 X 2.00	8.38	13.00	
404VP-405VP	22.62	2.50	3	19.25	15.08	4.12	.25	16.50	.94	.69	14.75	13.500	5/8 X 2.00	9.62	14.75	
444VP-445VP	25.25	2.50	3	22.19	17.44	6.00	.25	16.50	1.06	.69	14.75	13.500	5/8 X 2.25	11.12	15.56	

FRAME SIZE	AG	BV	AH(6)	V	SHAFT AND KEY			WEIGHT LBS. (3)	
					EU(5)	SQ.	LGTH.		
254VP	25.36	9.44	2.75	2.75	1.1250	.875	.250	1.25	330
284VP	25.35	9.44	2.750	2.75	1.1250	.875	.250	1.25	340
284VP	27.91	10.44	2.750	2.75	1.1250	.875	.250	1.25	480
324VP	27.91	10.44	2.750	2.75	1.1250	.875	.250	1.25	475
324VP	30.10	11.75	4.500	4.50	1.6250	1.250	.375	3.00	610
326VP	30.10	11.75	4.500	4.50	1.6250	1.250	.375	3.00	650
364VP	32.75	12.75	4.500	4.50	1.6250	1.250	.375	3.00	880
365VP	32.75	12.75	4.500	4.50	1.6250	1.250	.375	3.00	980
404VP	37.52	14.62	4.500	4.50	1.6250	1.250	.375	3.00	1310
405VP	37.52	14.62	4.500	4.50	1.6250	1.250	.375	3.00	1310
444VP	43.07	17.50	4.500	4.50	2.125	1.750	.500	3.00	1890
445VP	43.07	17.50	4.500	4.50	2.125	1.750	.500	3.00	1890

- (1) SPECIAL DIMENSIONS APPLYING TO THIS ORDER ON THIS LINE. IF MOUNTING CLEARANCE DETAILS ARE REQUIRED, CONSULT FACTORY.
- (2) "U" VARIES UP TO 2.125 DIA. +.0000, -.0005  
2.125 AND LARGER +.000, -.001. MAXIMUM PERMISSIBLE SHAFT RUNOUT WHEN MEASURED AT END OF SHAFT EXTENSION IS .001 MAX. T.I.R.
- (3) MOTOR WEIGHTS MAY VARY BY 1% DEPENDING UPON RATING. FACE RUNOUT AND 250VP - 440VP .004 MAX. T.I.R.
- (4) "AK" VARIES 250VP - 280VP +.003, -.000  
320VP - 440VP +.005, -.000
- (5) "EU" VARIES +.000, -.005
- (6) "AH" VARIES +.030, -.030
- (7) AUXILIARY CONDUIT BOX SUPPLIED ONLY WHEN SPECIFIED.

CUSTOMER IS RESPONSIBLE FOR DETERMINING THAT BALDOR'S PRODUCT WILL PERFORM SUITABLY IN THE INTENDED APPLICATION.

REV. DESC: ADD SHEET 2 IN METRIC	VERSION: 02	TDR: 000000566471
REV. LTR: B	REVISED: 09:20:41 11/11/2010	BY: RAGEC
FILE: \RAG\00008\703		
MTL: -		

**BALDOR**

DIM SHT 250-440VP TEFC API THRUST DESIGN CAST IRON CBOX

SH 1 of 1

FRAME \_\_\_\_\_ TYPE \_\_\_\_\_ CERTIFIED FOR \_\_\_\_\_  
 ORDER \_\_\_\_\_ ITEM \_\_\_\_\_ HP \_\_\_\_\_ RPM \_\_\_\_\_ PH \_\_\_\_\_ HZ \_\_\_\_\_ VOLTS \_\_\_\_\_  
 SALES ORDER \_\_\_\_\_ APPROVED BY \_\_\_\_\_ DATE \_\_\_\_\_

266-595919