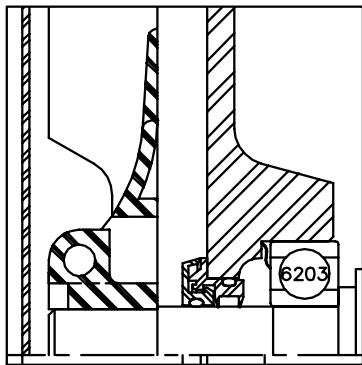
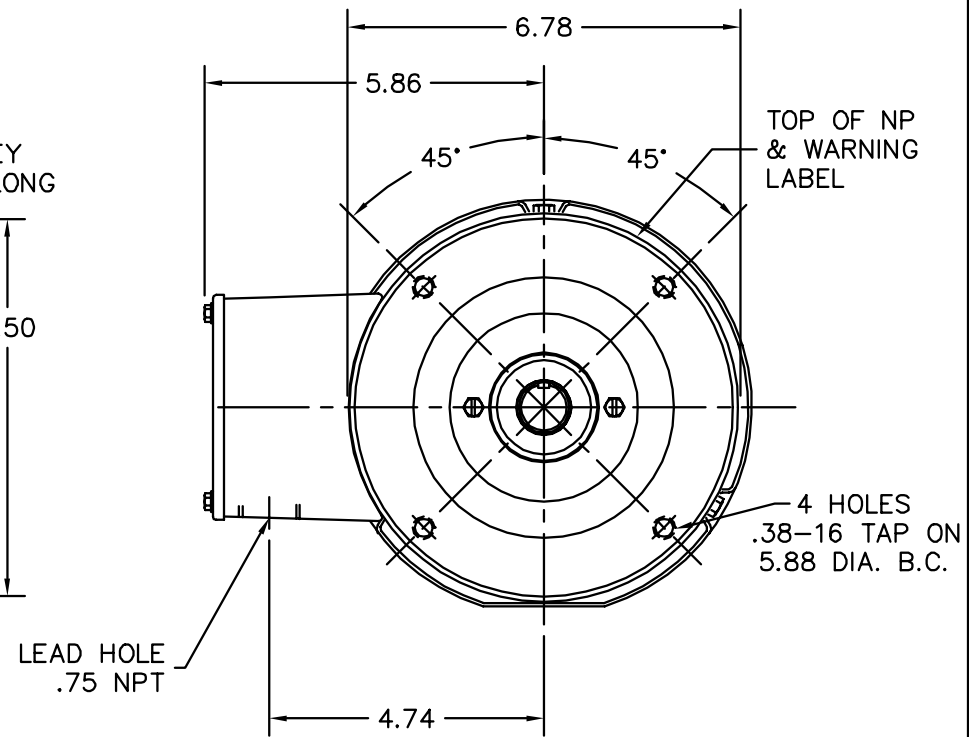
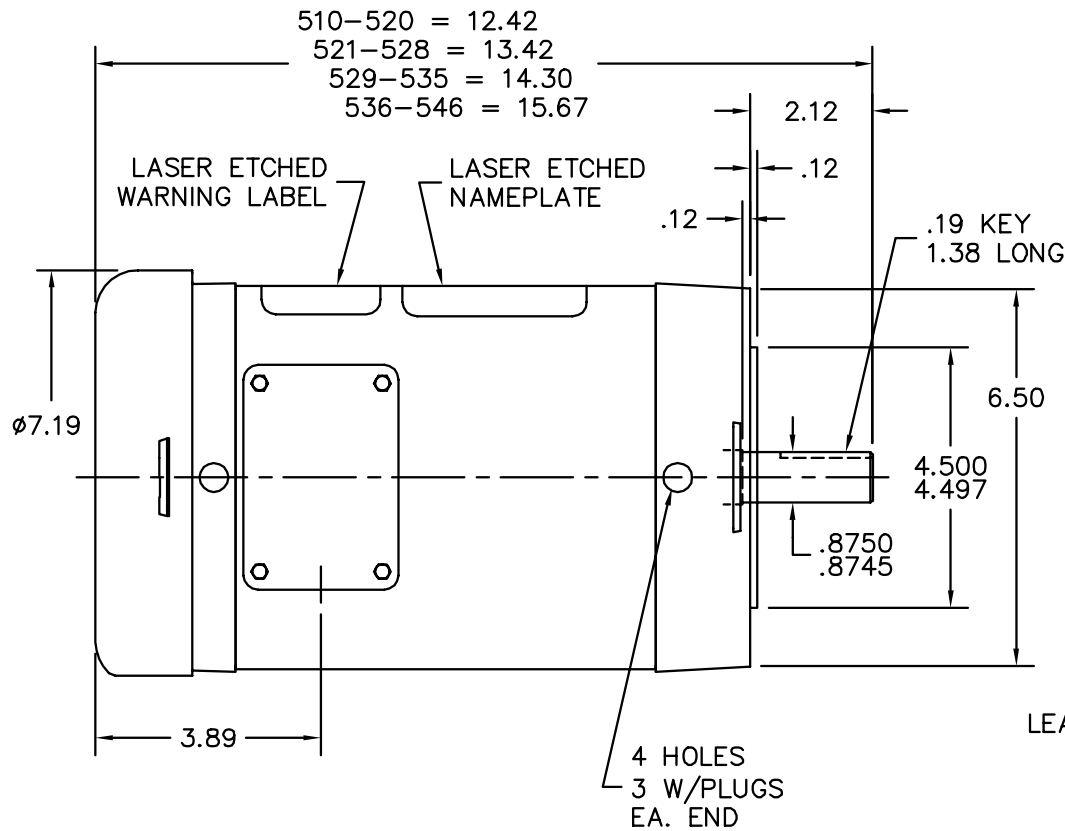
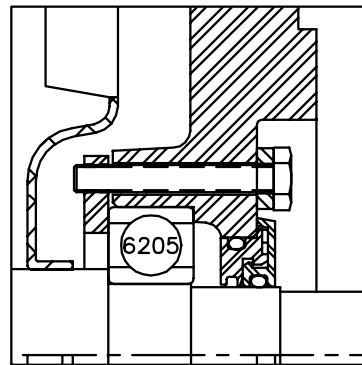


35LYVV821



FRONT END DETAIL



PULLEY END DETAIL

CUSTOMER IS RESPONSIBLE FOR DETERMINING THAT BALDOR'S PRODUCT WILL PERFORM SUITABLY IN THE INTENDED APPLICATION.

REV. DESC: NEW		
REV. LTR: -	VERSION: 00	TDR: 000000567513
FILE: \AAA\00177\287	REVISED: 09:19:30 11/22/2010	
MTL: -	BY: ENGAMGO	

BALDOR

VERT 143-5TC TEFC 35M WD4 W/.75 NPT LEAD HOLE

SH 1 of 1

35LYVV821