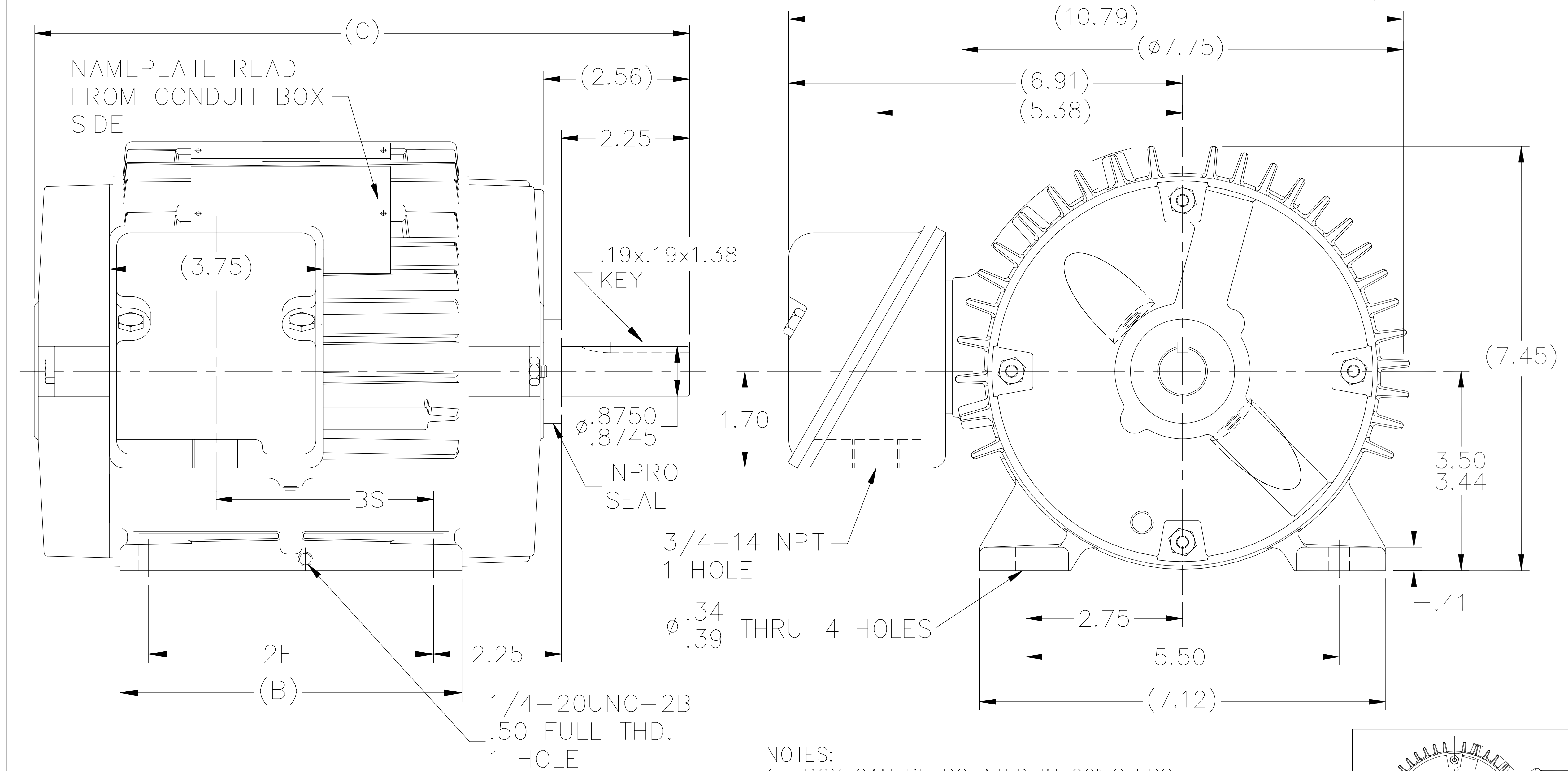
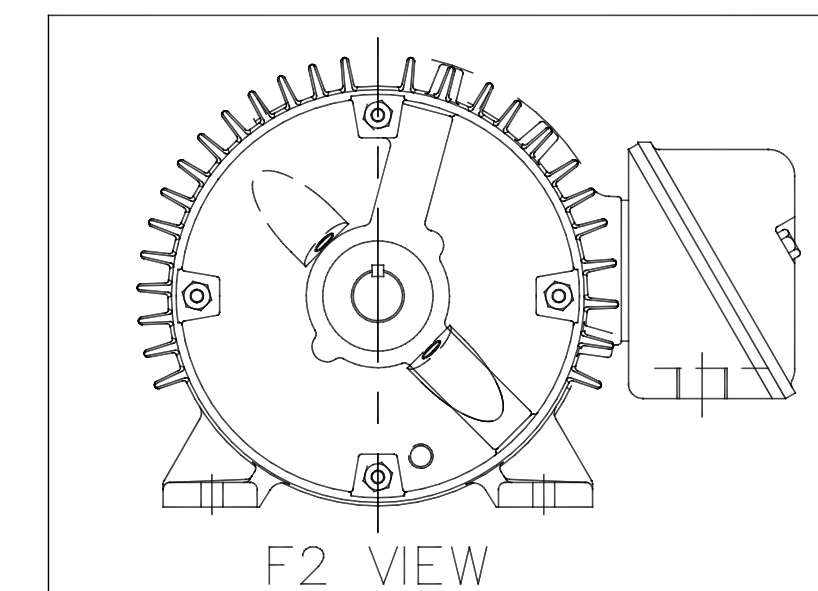



108347



- NOTES:
- 1- BOX CAN BE ROTATED IN 90° STEPS.
 - 2- BOX CAN BE MOUNTED ON OPPOSITE SIDE BY REMOVING BRACKETS AND TURNING FRAME 180°.
 - 3- FRONT GREASE HOLE LOCATIONS SHOWN WITH HIDDEN LINES.



DASH	B	C	BS	2F
525	5.00	10.43	2.81	4.00

		TOLERANCES UNLESS SPECIFIED		 Regal Beloit America, Inc.		DRAWN SM 11/4/2015		
		DEC.	INCHES			CHK SM 11/4/2015	APPD SM 11/4/2015	
		.X	±.1	TITLE OUTLINE 140T FR. - BB - TS - TENV - INPRO SEAL		SCALE	3=8	
		.XX	±.03			REF	104326	
		.XXX	±.005			FMF	143THTN9005	
A	NEW DRAWING	SM	11/4/2015	SM	.XXXX	±.0005	MAT'L.	
NO.	REVISION	BY & DATE	CHK	ANG	±7'30"	FINISH	PREV	
THIS DRAWING IN DESIGN AND DETAIL IS OUR PROPERTY AND MUST NOT BE USED EXCEPT IN CONNECTION WITH OUR WORK ALL RIGHTS OF DESIGN AND INVENTION ARE RESERVED THIS IS AN ELECTRONICALLY GENERATED DOCUMENT - DO NOT SCALE THIS PRINT				RFP	CAD FILE 108347		SIZE	DRAWING NO. PAGE OF REV.
				DIST	WP	A	108347	A