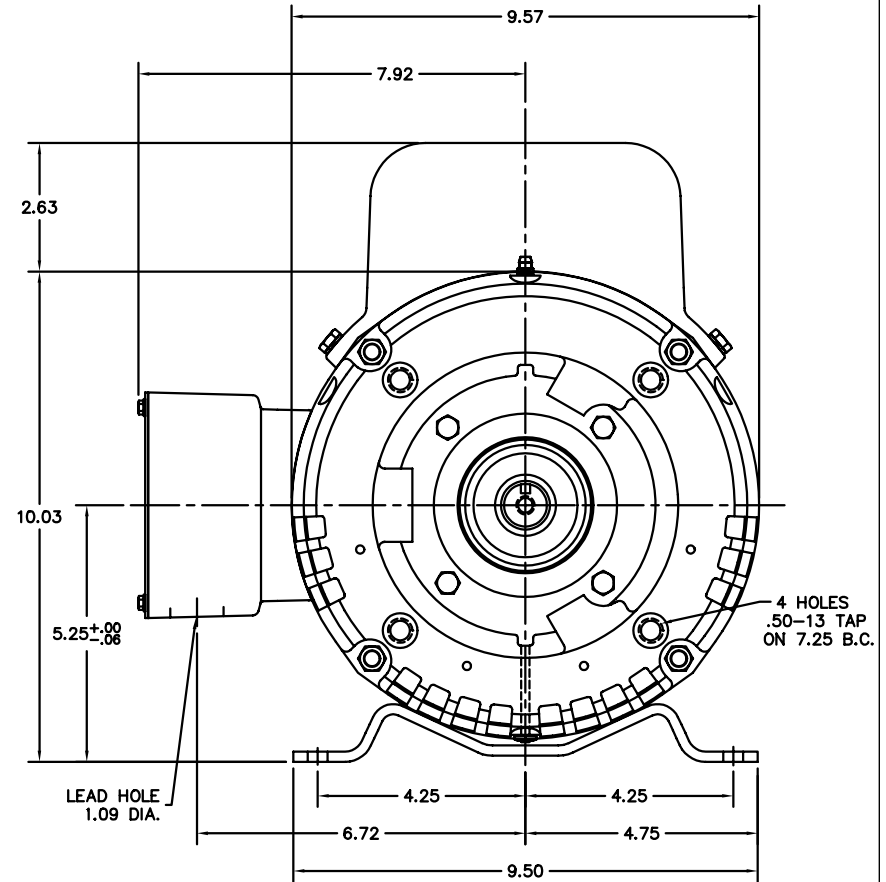


PULLEY END DETAIL



WEST COAST PUMP MOUNTING

CUST. NAME		CUST. P.O.		CERTIFIED BY		MODEL		INSUL		AMB	
H.P.	MTG	TYPE	R.P.M.	VOLTS		ENCL	PHASE	FREQ	FRAME		
REV. DESC: CHG'D CONDUIT BOX AND LID (SEE EC09)											
REV. LTR: J	BY: JED	REVISED: 02/19/99 8:29	TDR: 0171875								
FILE: AAA00009680				MDL: -							
MTL: -											

BALDOR ELECTRIC Co.

HORZ 213-5TCZ OPEN 37L-LC W/SCREENS