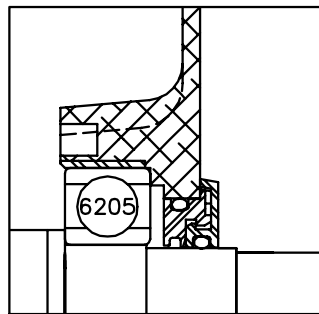



FRONT END DETAIL



PULLEY END DETAIL

CUSTOMER IS RESPONSIBLE FOR DETERMINING THAT BALDOR'S PRODUCT WILL PERFORM SUITABLY IN THE INTENDED APPLICATION.

REV. DESC: FR ENDTURN & FINNED ENDRING TO CORRECT LOCATION		
REV. LTR: C	VERSION: 03	TDR: 00000954120
FILE: \AAA\00209\358	REVISED: 08:38:17 11/20/2015	BY: ENKANVO
MTL: -		

**BALDOR**

HOR 143-5T TEFC M WD F3 ENCAP W/JM CLIP SEAL

SH 1 of 1