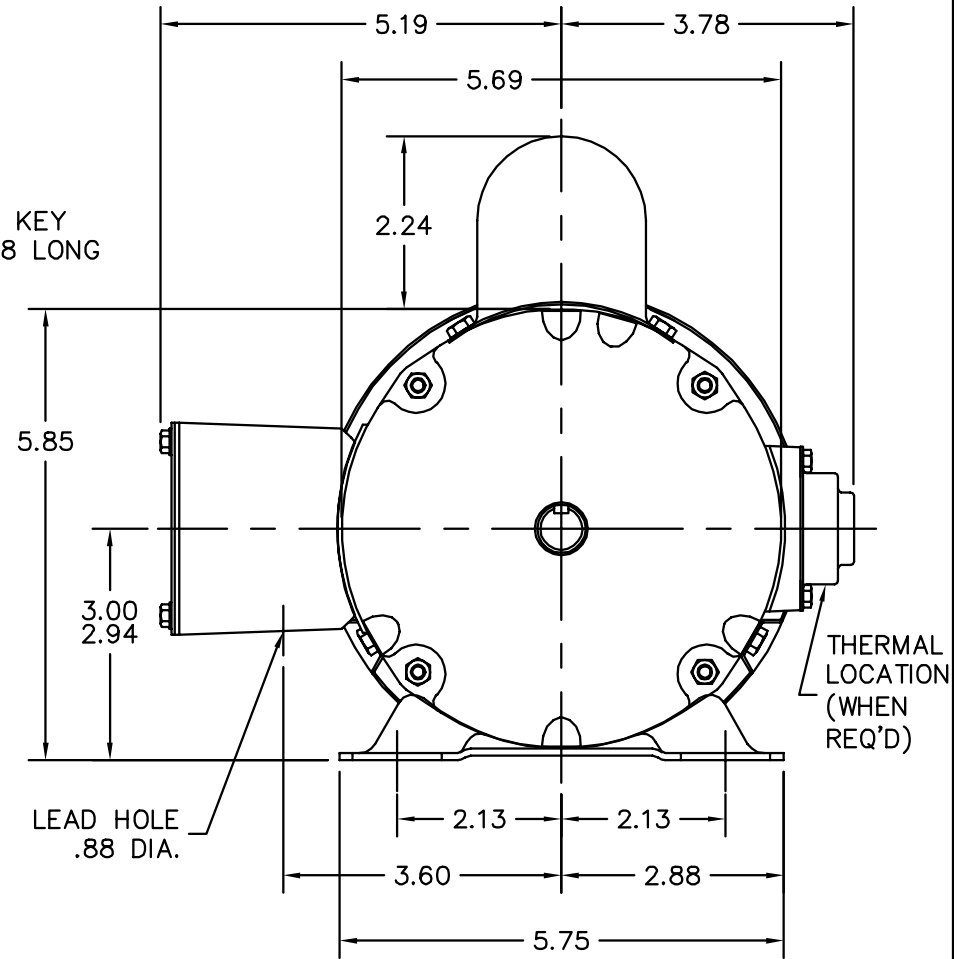


.19 KEY  
1.38 LONG



CUSTOMER IS RESPONSIBLE FOR DETERMINING THAT MOTOR PERFORMANCE IS SUITABLE IN THE APPLICATION.

REV. DESC: UPDATED GRAPHIC		
REV. LTR: E	VERSION: 01	TDR: 000000421280
806ZΛ74Σ	FILE: \AAA\00013\160	REVISED: 17:03:39 02/01/2007
	MTL: -	BY: ENROSTO

**BALDOR ELECTRIC Co.**

HORZ MODEL 34L NEMA 48Z TEFC (W/NEMA 56 SHAFT)