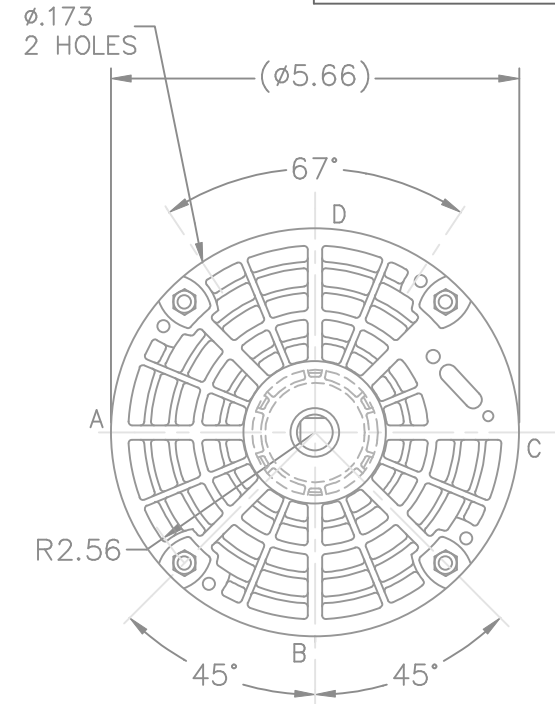
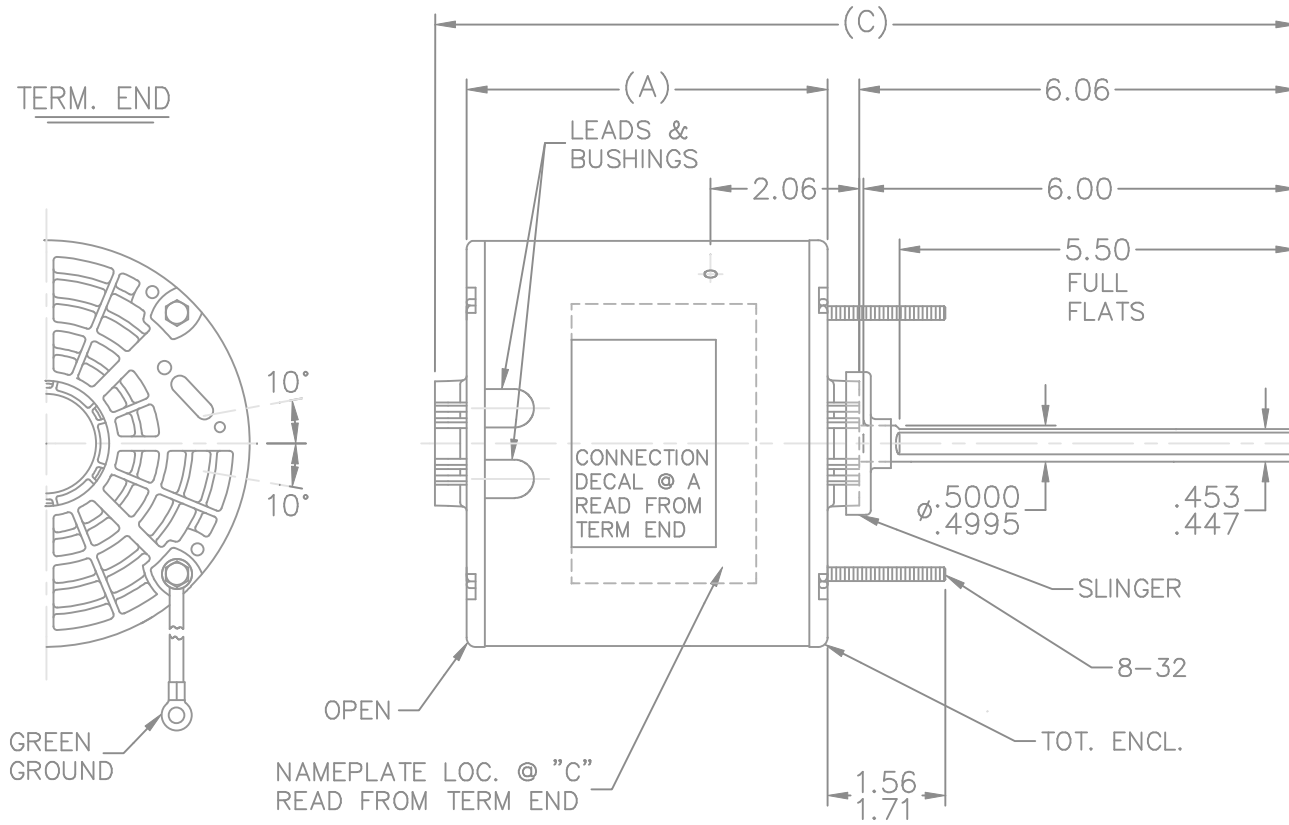


TERM. END



DASH	FR	C	A
375	48Y	11.19	4.25
400	48Y	11.44	4.50
425	48Y	11.69	4.75
450	48Y	11.94	5.00
475	48Y	12.19	5.25
500	48Y	12.44	5.50

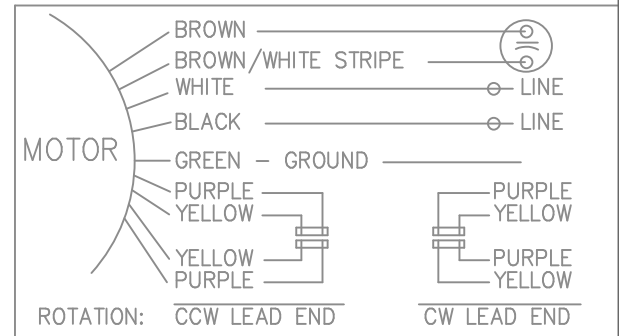
LEAD DESCRIPTION:

1 BLACK, AND 1 WHITE LEAD WITH .50 BARE WIRE STRIP 30.00" LONG.

2 BROWN CAPACITOR LEADS WITH .25 FLAG-TYPE QUICK CONNECTS 30.00" LONG BROWN WITH WHITE MARK IS COMMON TO WHITE LEAD.

REVERSING LEADS ARE MOLDED INTO MATING PULL APART PLUGS 1 1 PURPLE, AND 1 YELLOW PER PLUG 5.00" LONG.

GREEN GROUND LEAD WITH TERM. FOR #10 SCREW 12.00" LONG.



				TOLERANCES UNLESS SPECIFIED		MARATHON ELECTRIC	DRAWN BLR 09-14-1995					
				DEC.	INCHES		CHK	DA	09-28-1995			
				.X	±.1	TITLE OUTLINE	APPD	GK	09-28-1995	SCALE	3=8	
5	UPDATED DRAWING		TJW 04/09/2007	.XX	±.03		REF			FMF		
4	REDRAWN IN AUTOCAD		TAT 07-22-2004	ML	.XXX	MAT'L.	PREV					
3	REDRAWN AND REVISED LEAD LENGTHS CN 21148		BLR 09-28-1995		.XXXX	FINISH						
NO.	REVISION		BY & DATE	CHK	ANG			SIZE	DRAWING NO.	PAGE	OF	REV.
THIS DRAWING IN DESIGN AND DETAIL IS OUR PROPERTY AND MUST NOT BE USED EXCEPT IN CONNECTION WITH OUR WORK ALL RIGHTS OF DESIGN AND INVENTION ARE RESERVED THIS IS AN ELECTRONICALLY GENERATED DOCUMENT - DO NOT SCALE THIS PRINT				RFP			CAD FILE	ss74113	A	SS74113		5
				DIST	WP							