

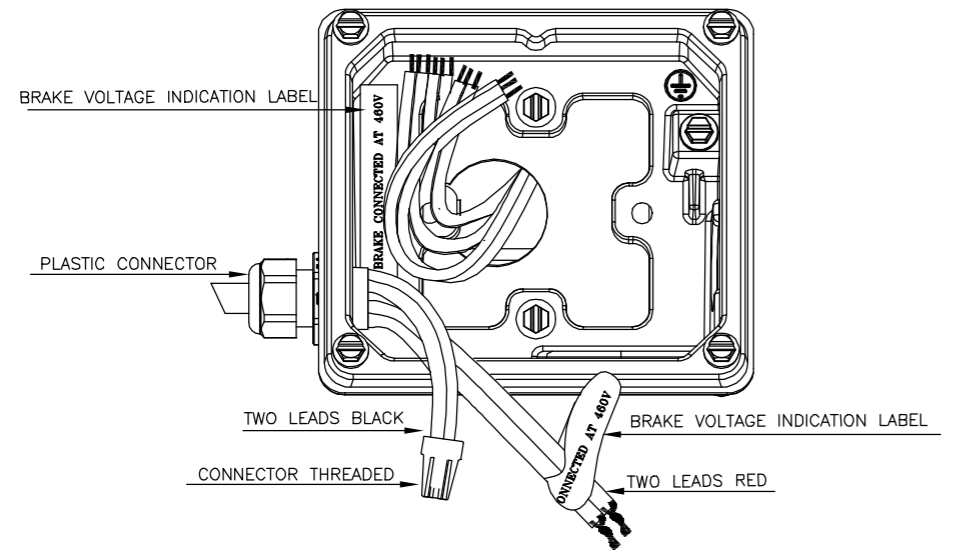
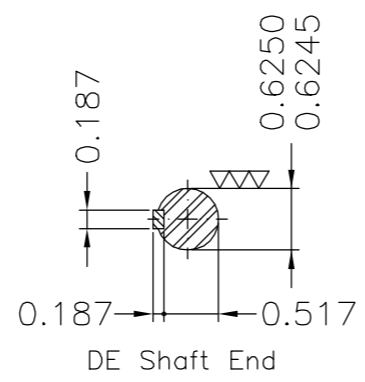
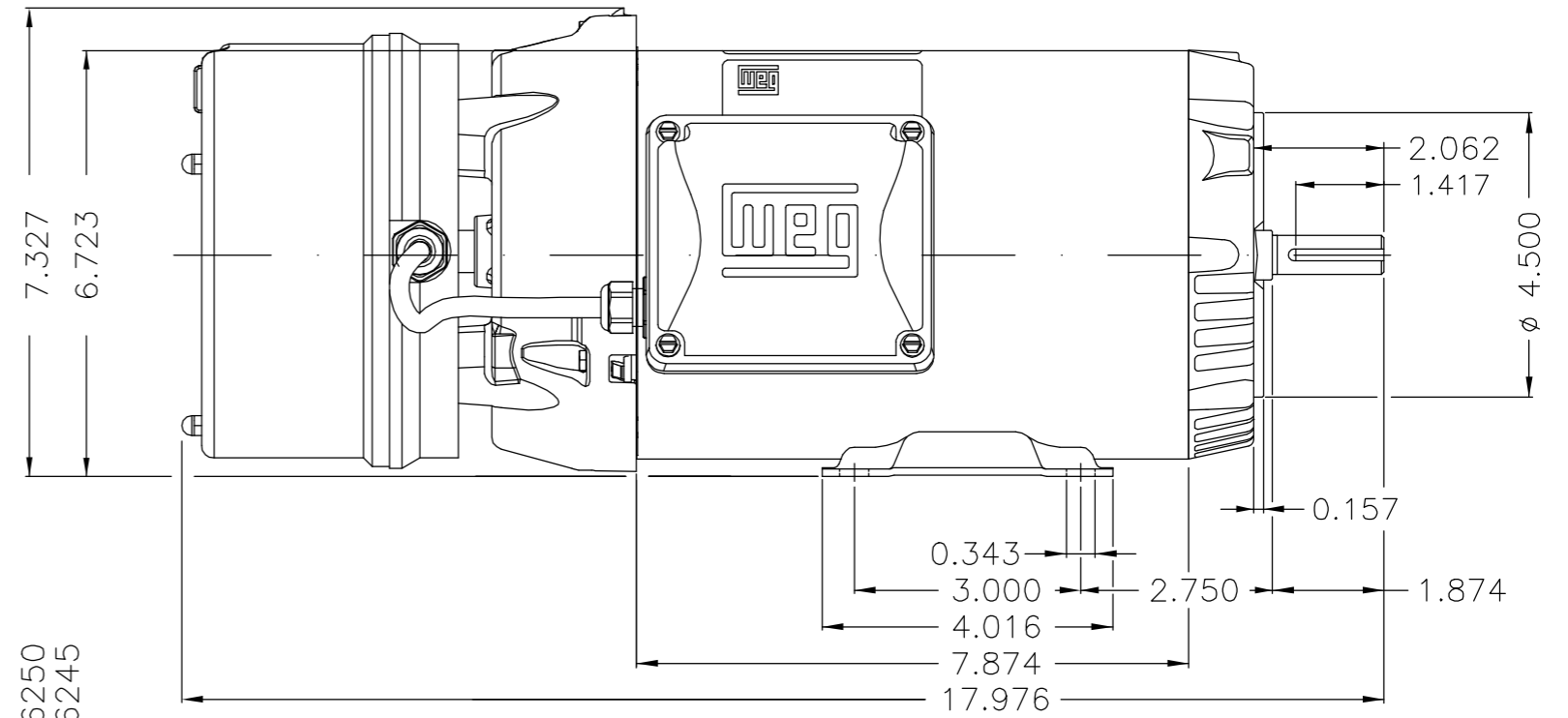
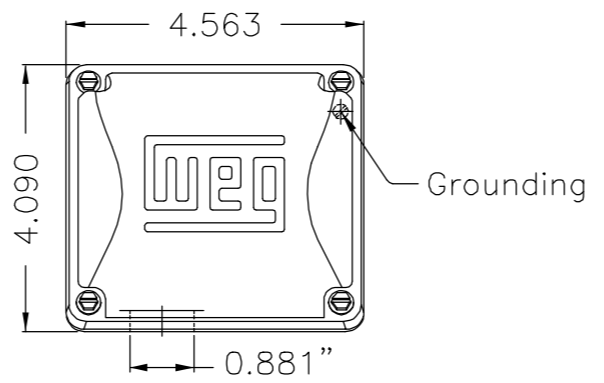
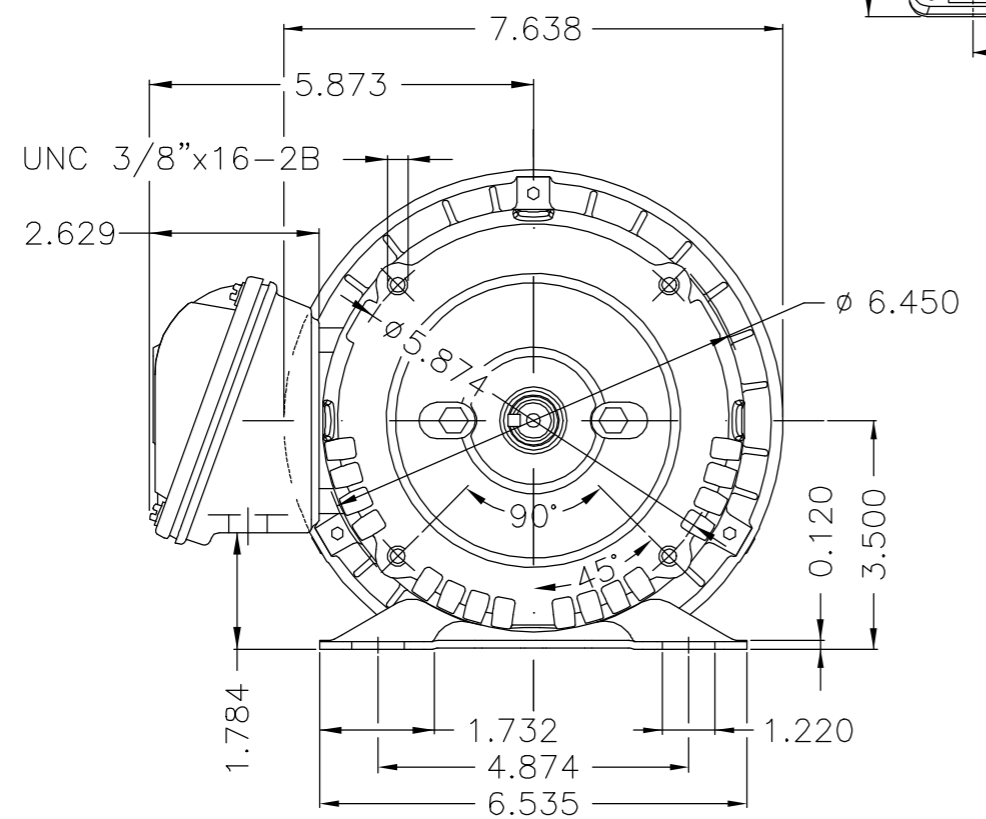
EJE/SHAFT	
ESTÁNDAR/STANDARD	X
OPCIONAL/OPTIONAL	
ESPECIAL/SPECIAL	

Dimensões em polegada  
Dimensions in inches

**PRELIMINARY DOCUMENT**  
Not to be used for installation purposes.

THIS IS AN UPDATED REVISION, THE PREVIOUS ONE MUST BE DISREGARDED.

A  
B  
C  
D  
E



DETAIL FOR BRAKE CONNECTION 460V

Forma constructiva B34D / Mounting F-1/B34R(D)									
<b>WEG ELECTRIC CORPORATION - WEC</b>									
500001166007	DOCUMENTO NOVO	CESTRELLA	CTOLEDO	14.04.2016	00				
ECM	LOC	SUMMARY OF MODIFICATIONS			EXECUTED	CHECKED	RELEASED	DATE	VER
EXECUTED	CESTRELLA	THREE P. MOTOR TEFC ROLLED STEEL NEMA P.			10004222513				
CHECKED		FRAME 56C IP55 TEFC			000   00				
RELEASED	CTOLEDO								
REL DT	14.04.2016	WMX	Huehuetoca	Product Engineering	SHEET	1 / 1			

1 HP 04 Poles 60Hz 414238905/0

UNCONTROLLED COPY RELEASED ZME A3