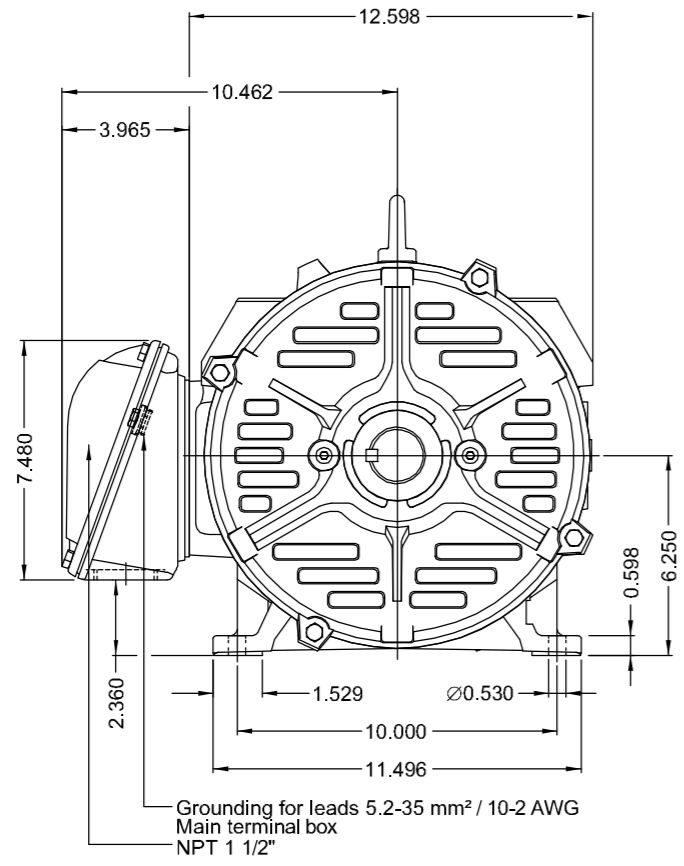


EIXO/SHAFT	
PADRÃO/STANDARD	X
OPCIONAL/OPTIONAL	
ESPECIAL/SPECIAL	

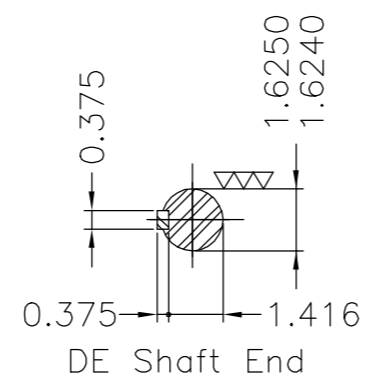
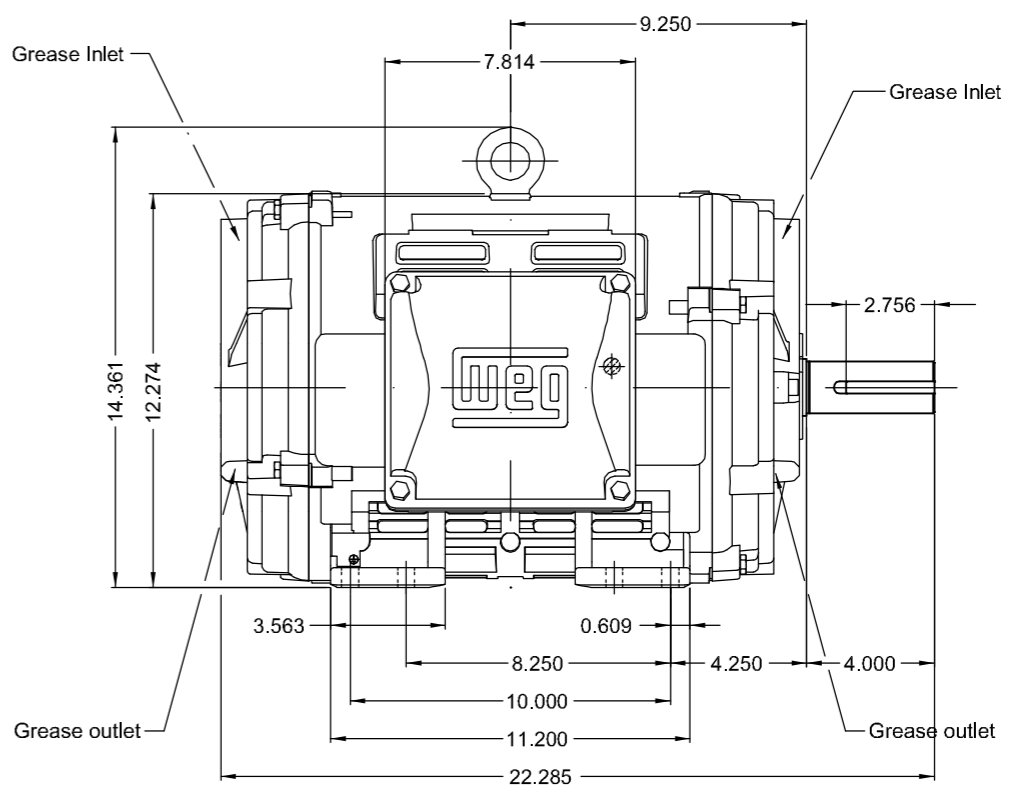
Dimensões em polegada  
Dimensions in inches

THIS IS AN UPDATED REVISION, THE PREVIOUS ONE MUST BE DISREGARDED.

A  
B  
C  
D  
E



Grounding for leads 5.2-35 mm<sup>2</sup> / 10-2 AWG  
Main terminal box  
NPT 1 1/2"



DE Shaft End

Cabos de ligação sem terminais / Connection cables without terminals						
Cabos de ligação numerados com etiqueta / Cables are labeled						
Cor Munsell N 1 preto fosco / Color Munsell N 1 matte black						
Plano de pintura 203A / Painting plan 203A						
Forma construtiva NEMA F-1 / Mounting NEMA F-1						
Forma construtiva B3D / Mounting B3R(D)						
<b>WEG ELECTRIC CORPORATION - WEC</b>						
						ESC / SCALE
500001500334	DOCUMENTO NOVO			JEAN2	WILLIANR	WILLIANR
ECM	LOC	RESUMO MODIFICAÇÃO		EXECUTADO	VERIFICADO	LIBERADO
ECM	LOC	SUMMARY OF MODIFICATIONS		EXECUTED	CHECKED	RELEASED
EXEC. /EXECUTED	JEAN2		THREE PHASE W40 MOTOR NEMA PREMIUM EFF		10006039679	
VERIF. /CHECKED	WILLIANR		FRAME 254/6T IP23 ODP		000   00	
LIBER. /RELEASED	WILLIANR					
DATA LB /REL DT	10.09.2018	WMO	Jaraguá do Sul	Product Engineering	FOLHA/SHEET	1 / 1

25 HP	02 Poles	60Hz	415187515/0	ELET/MEC	B
20 HP	04 Poles	60Hz	415187515/0	ELET/MEC	A

UNCONTROLLED COPY  
RELEASED  
ZME A3