

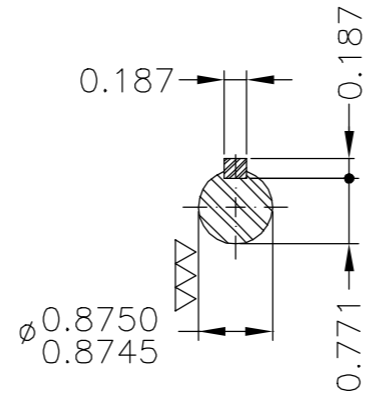
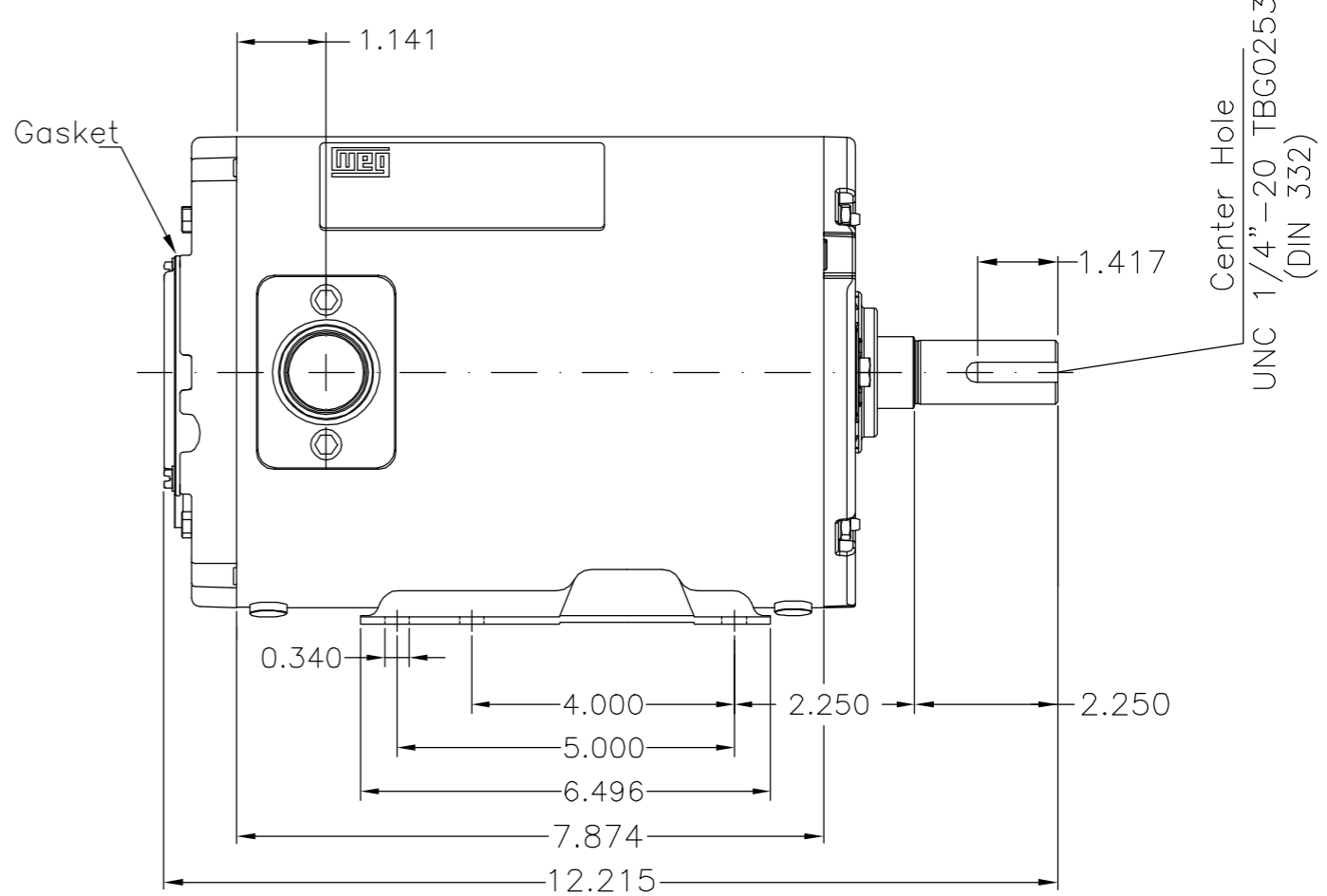
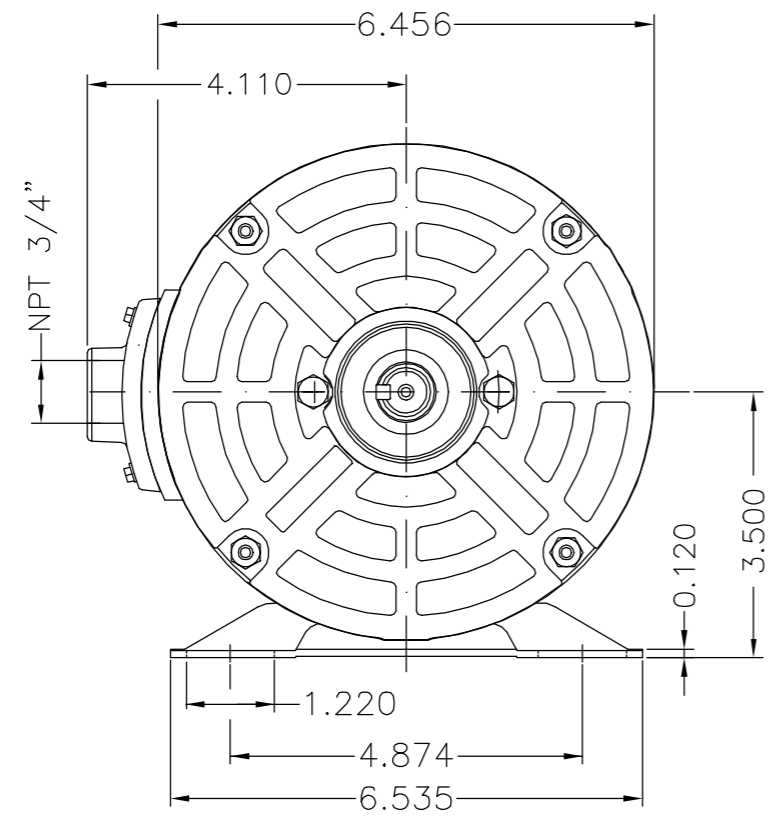
EJE/SHAFT	
ESTÁNDAR/STANDARD	
OPCIONAL/OPTIONAL	
ESPECIAL/SPECIAL	X

Dimensiones en pulgadas
Dimensions in inches

PRELIMINARY DOCUMENT
Not to be used for installation purposes.

THIS IS AN UPDATED REVISION, THE PREVIOUS ONE MUST BE DISREGARDED.

A
B
C
D
E



DE Shaft End

- Rodamiento trasero de esferas 6202 / NDE ball bearing 6202
- Vedación - Anillos V Ring / Sealing - V ring
- Anillo fijación del rodamiento / Bearing cap
- Plan de pintura 207N / Painting plan 207N
- Forma constructiva F-1/B3R(D) / Mounting F-1/B3R(D)

WEG ELECTRIC CORPORATION - WEC

OV: 50608935

500001757480		ACCORDING TO CLAIM 417294199	HERNANDEZA	PNAVA	PNAVA	29.04.2020	01
500001747787		NEW DOCUMENT	PNAVA	CRISTIAN	CRISTIAN	06.04.2020	00
ECM	LOC	SUMMARY OF MODIFICATIONS	EXECUTED	CHECKED	RELEASED	DATE	VER
EXECUTED	PNAVA	THREE P. MOTOR CLOSED ROLLED STEEL HIGH FRAME 143/5TZ IP55 TEAO	10007532563				
CHECKED	CRISTIAN		000	01			
RELEASED	CRISTIAN		SHEET	01 / 01			
REL DT	06.04.2020	WMX	Huehuetoca	Product Engineering			

1.5 HP 02 Poles 60Hz 417264266

A

UNCONTROLLED COPY

RELEASED

ZME A3