

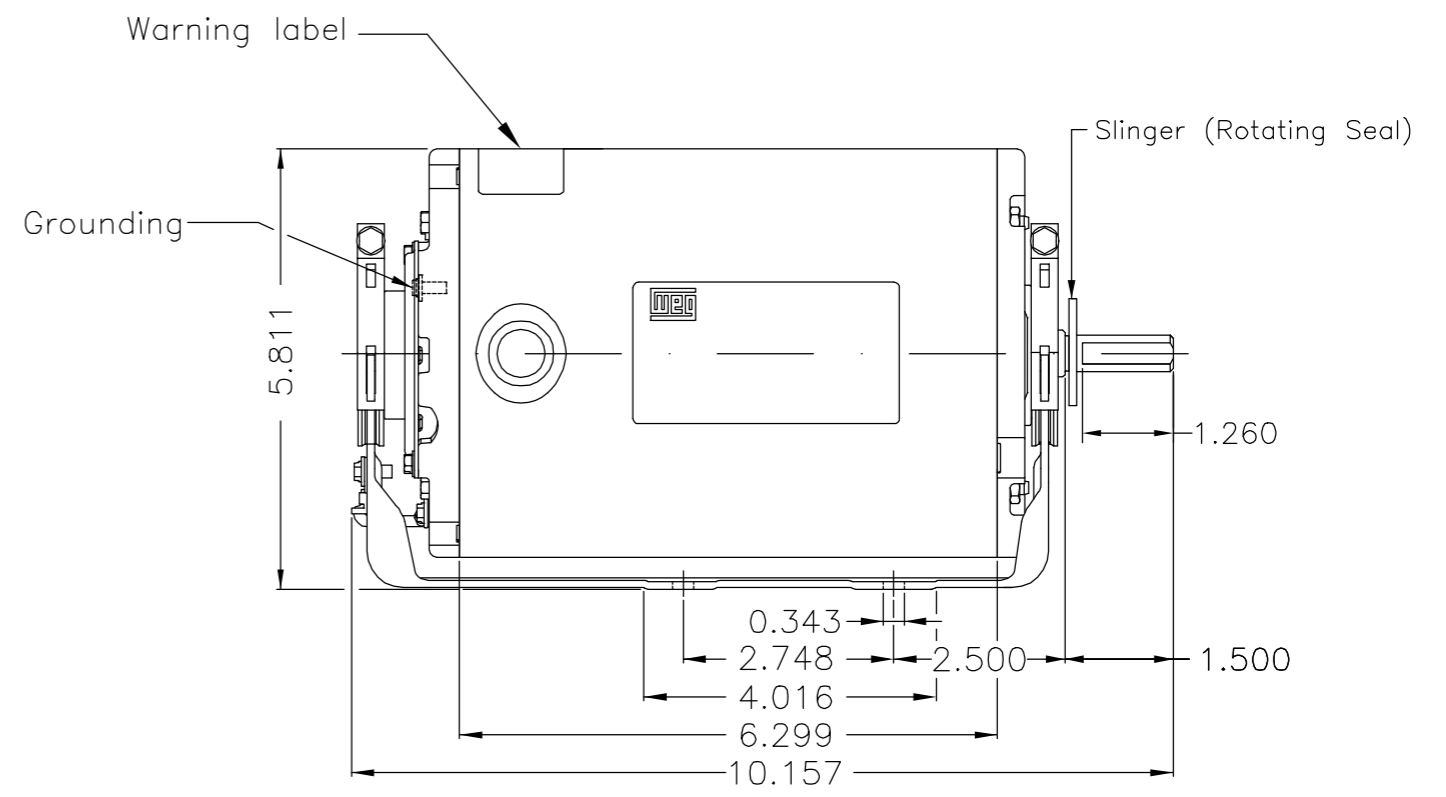
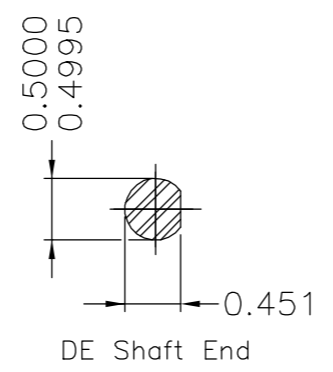
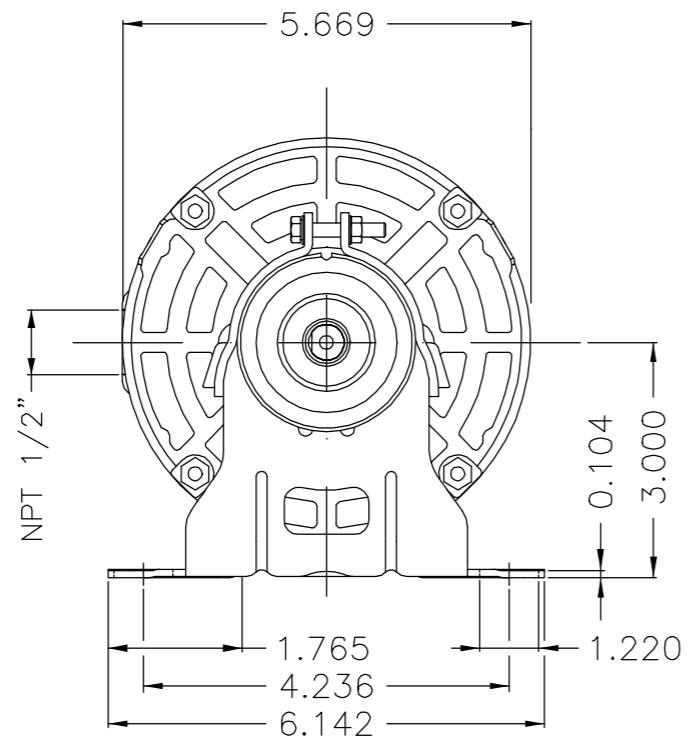
EJE/SHAFT	
ESTÁNDAR/STANDARD	X
OPCIONAL/OPTIONAL	
ESPECIAL/SPECIAL	

Dimensiones en pulgadas  
Dimensions in inches

**PRELIMINARY DOCUMENT**  
Not to be used for installation purposes.

THIS IS AN UPDATED REVISION, THE PREVIOUS ONE MUST BE DISREGARDED.

A  
B  
C  
D  
E



Indicación de etiqueta de advertencia/Indicating warning label	
Protector térmico fenólico - Automático / Phenolic thermal protector - automatic	
Anillo de goma en la punta del eje / Slinger ring on shaft end	
Color Munsell N 1 negro mate / Color Munsell N 1 matte black	
Plan de pintura 207N / Painting plan 207N	
Forma constructiva B3D / Mounting F-1/B3R(D)	

**WEG ELECTRIC CORPORATION - WEC**

OV: 21278459

500001801243		UPDATE IP RATING ACCORDING 417390210	EJESUS	HERNANDEZA	HERNANDEZA	07.08.2020	02
500001775124		ACCORDING TO CLAIM 417337219	HERNANDEZA	PNAVA	PNAVA	09.06.2020	01
ECM	LOC	SUMMARY OF MODIFICATIONS	EXECUTED	CHECKED	RELEASED	DATE	VER
EXECUTED	HERNANDEZA	SINGLE PHASE MOTOR CLOSED ROLLED STEEL FRAME 48 IP55 TEAO	10007680228				
CHECKED	PNAVA		000	02			
RELEASED	PNAVA						
REL DT	08.06.2020	WMX	Huehuetoca	Product Engineering	SHEET	1 / 1	

0.33 HP 04 Poles 60Hz 417337219

UNCONTROLLED COPY  
RELEASED  
ZME A3