

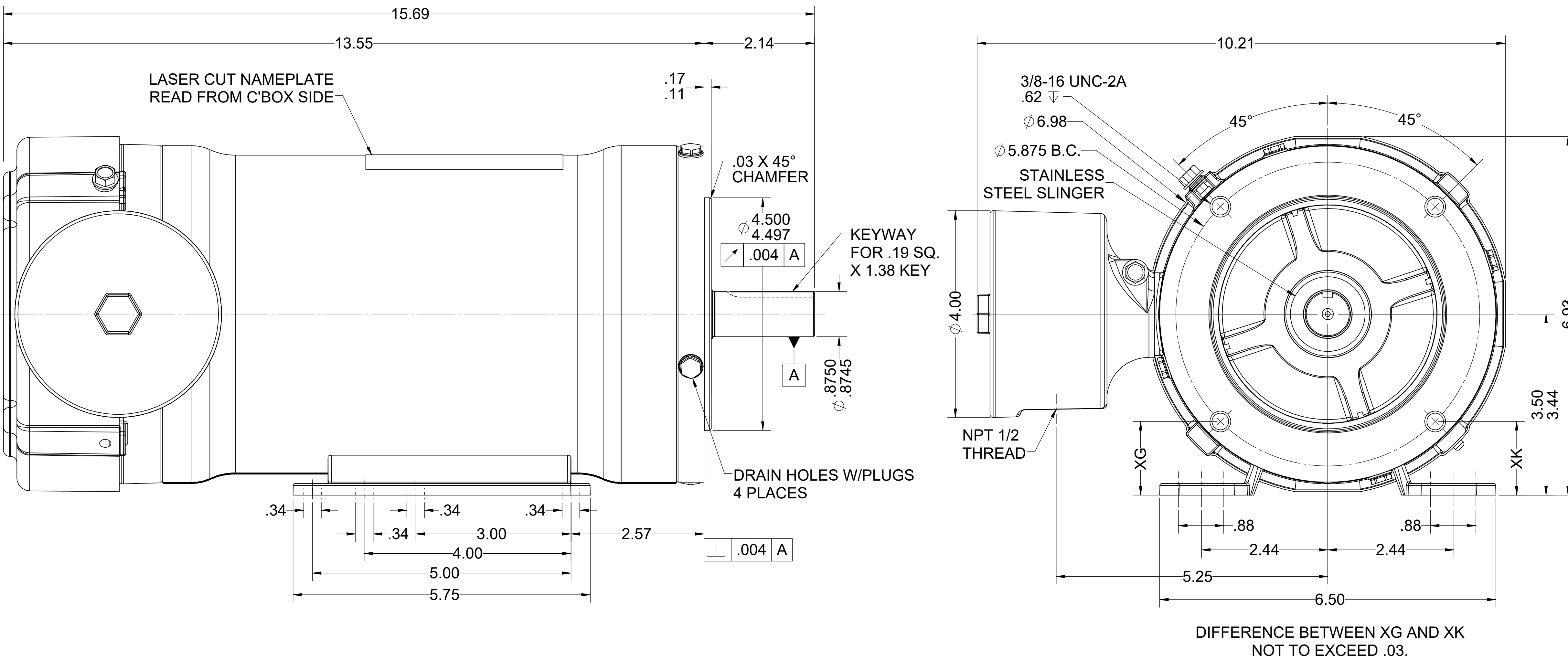
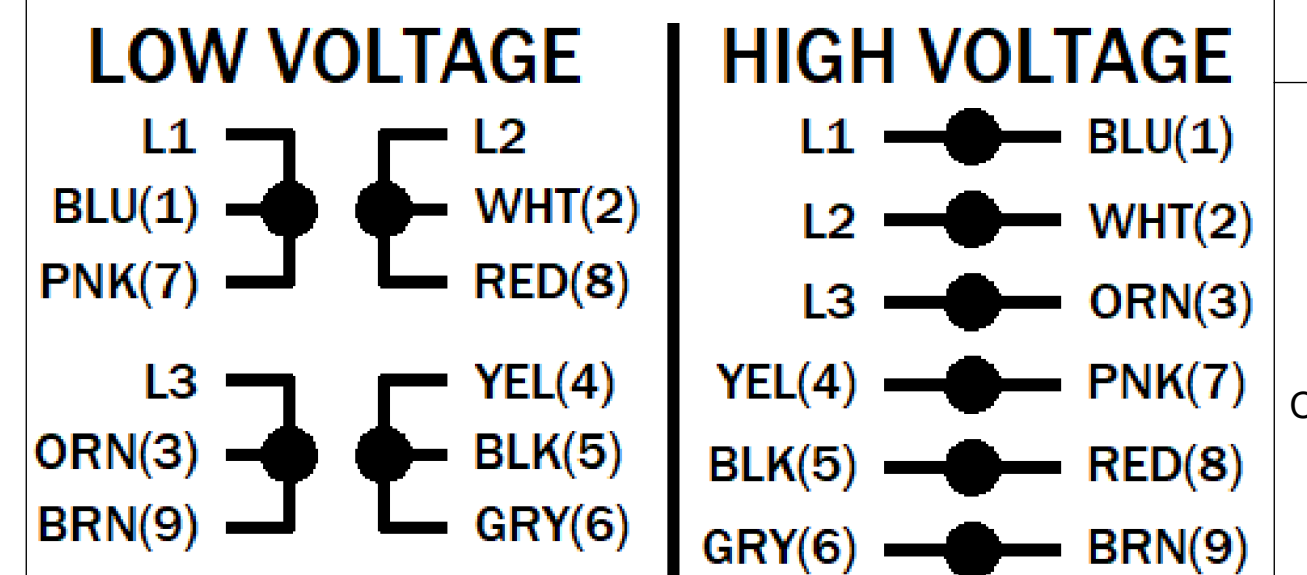
UNLESS OTHERWISE SPECIFIED DIMENSIONS WITHOUT TOLERANCES ARE REFERENCE ONLY

NOTES

LEADS

TERMINAL BLOCK PLUS GROUND

EXTERNAL CONNECTIONS



MOTOR DATA

TYPE POLY - INVERTER DUTY		SHAFT MATERIAL 304 S.S. EXTENSION		CUSTOMER NAME WEG HYDRODUTY	
HZ 60	HZ 50	FRAME 145TC	PHASE 3	CUSTOMER PART NUMBER 00218ET3EHD143TC	
VOLTS 230/460	VOLTS 190/380	ENCLOSURE TEFC	PAINT NONE	VIEWING LEAD END	MOTOR ROTATION REV
HP[kW] 2.0 [-]	SF 1.15	HP[kW] 1.5 [1.119]	SF 1.00	ENVIRONMENT WASHDOWN	ASSEMBLY ROTATION CW
RPM 1730	RPM 1440	I.P.CODE IP69K	END CAP N/R	ASSEMBLY VOLTAGE HIGH	
F.L. AMPS 5.88/2.94	F.L. AMPS 5.52/2.76	NEMA NOM. EFF. 86.5%	IE3 84.1%	THERMAL PROTECTION TYPE NONE	
S.F. AMPS 6.9/3.45	S.F. AMPS -			MOUNTING POSITION ALL POSITIONS	
TIME RATE CONT		MAX AMB 40		WINDING AND TEST SPEC -	
KVA CODE L	INS CLASS F			DRAWN: ZMILOSTAN 09/25/24	

ECN	REV 01	CHANGE DESCRIPTION	DATE/INITIALS
		UPDATED EXTERNAL CONNECTION FIGURE AND IE3 PERCENT. ADDED CATALOG NUMBER. UPDATED RPM, FLA, SFA, AND KVA CODE	06/13/2025 IT
SIZE D		DWG NO.	10012413141
SCALE: 5:6	DO NOT SCALE DRAWING	SHEET 1 OF 2	

10012413141

